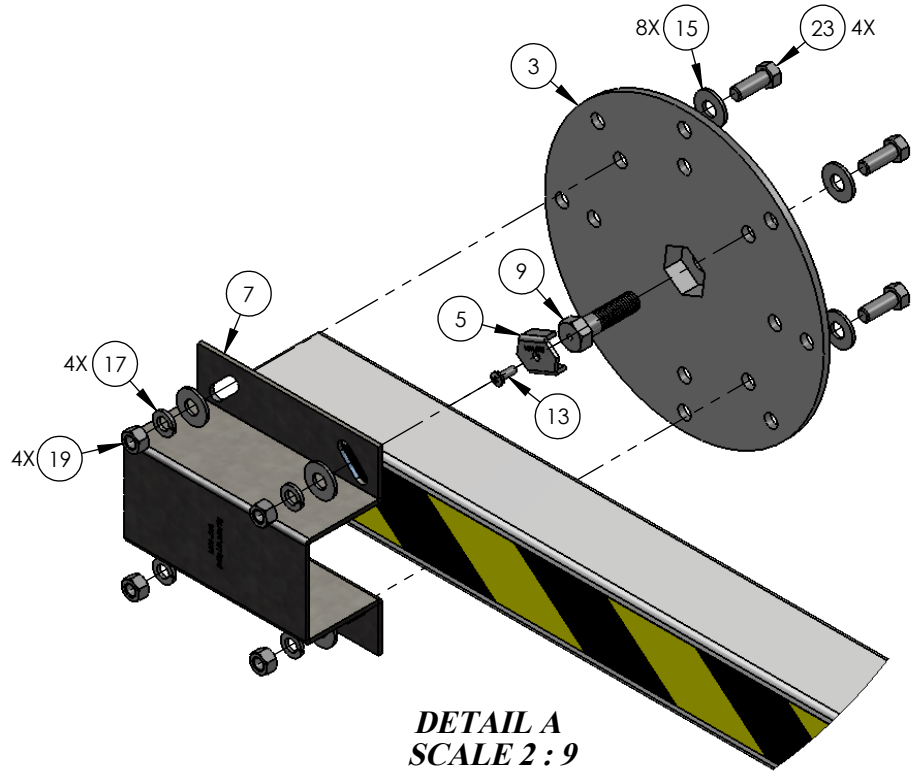
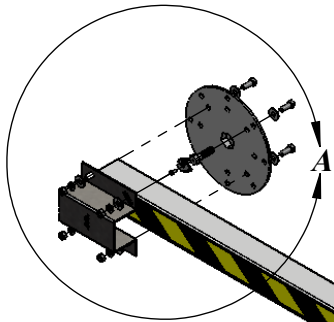


REVISIONS

REV	DESCRIPTION	DATE	APPR
B	Revised & Redrawn on SolidWorks.	Sal 11/03/08	D.C. 11/03/08



DETAIL A
SCALE 2 : 9



Shown for Reference Only
See 1601-071 for Item

Item	Part Number	Qty	UM	Description
1	1601-841	1	EA	IPB-Model 1601-241 Hardware Kit for Plastic Arm
3	1601-079	1	EA	Hub Die Cast Painted
5	1601-097	1	EA	Locking Plate Washer 1601
7	1601-068	1	EA	Bracket Plastic Arm 1601
9	1601-165	1	EA	Bolt Hex Head 1/2-13 x 1 3/4 Tap
13	2616-052	1	EA	Screw Phillips Head 10-32 x 1/2
15	2620-029	8	EA	Washer 3/8 USS
17	2620-047	4	EA	Lockwasher 3/8
19	2620-405	4	EA	Nut Hex 3/8-16
23	2615-052	4	EA	Bolt Hex Head 3/8-16 x 1

PROPRIETARY AND CONFIDENTIAL
THE INFORMATION CONTAINED IN THIS DRAWING IS THE SOLE PROPERTY OF Door King. ANY REPRODUCTION IN PART OR AS A WHOLE WITHOUT THE WRITTEN PERMISSION OF Door King IS PROHIBITED.



Hardware Kit for Plastic Arm
Model 1601-241

SIZE **A** DWG 1601-841 REV **B**
SCALE: 1:48 SHEET 1 of 1