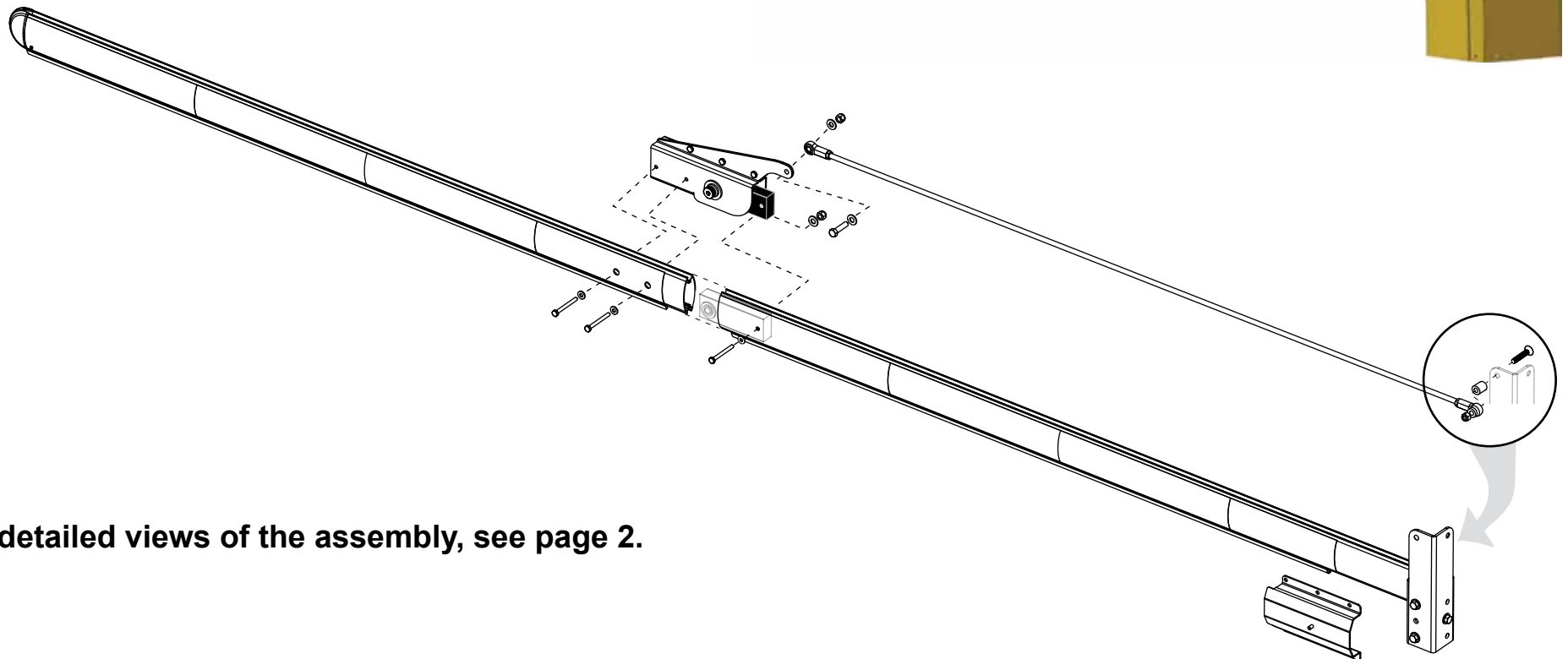


## StrongArmPark DC Articulating Arm

Review the illustrations for the steps involved in assembling the articulating arm and attaching it to the StrongArmPark DC chassis.

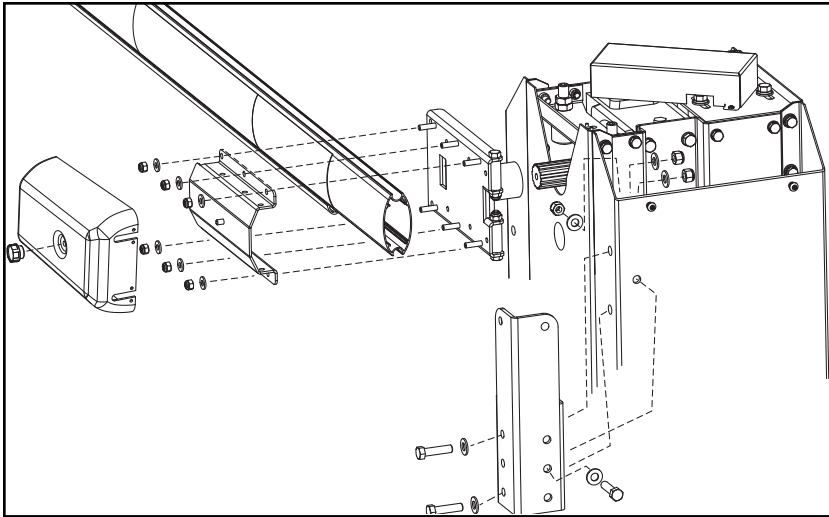
### Tools required

- Box end wrenches: 7/16 and 9/16 inch
- Socket head wrenches: 7/16 and 9/16 inch
- 1/4 - inch Hex key



For detailed views of the assembly, see page 2.

**1**



## StrongArmPark DC: Articulating Arm Assembly

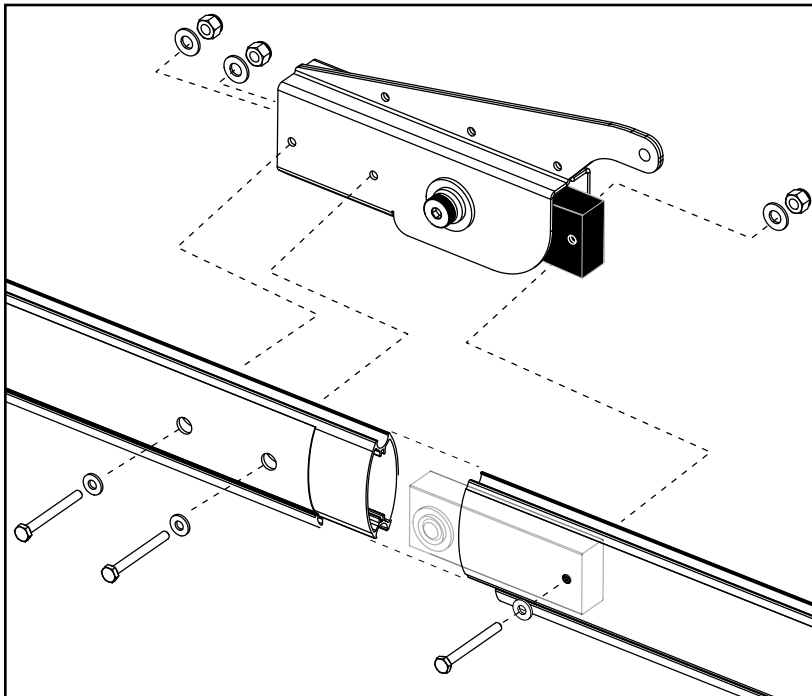
Follow the steps and secure the fasteners as shown.

### Technical Support

For technical support, call your installer or authorized HySecurity distributor.  
Obtain the serial number of your operator before calling.

For the name of a distributor near you, call HySecurity at 800-321-9947.

**2**



**3**

