

1601 BREAKAWAY ROUND ARM INSTALLATION KIT

DoorKing Part Number

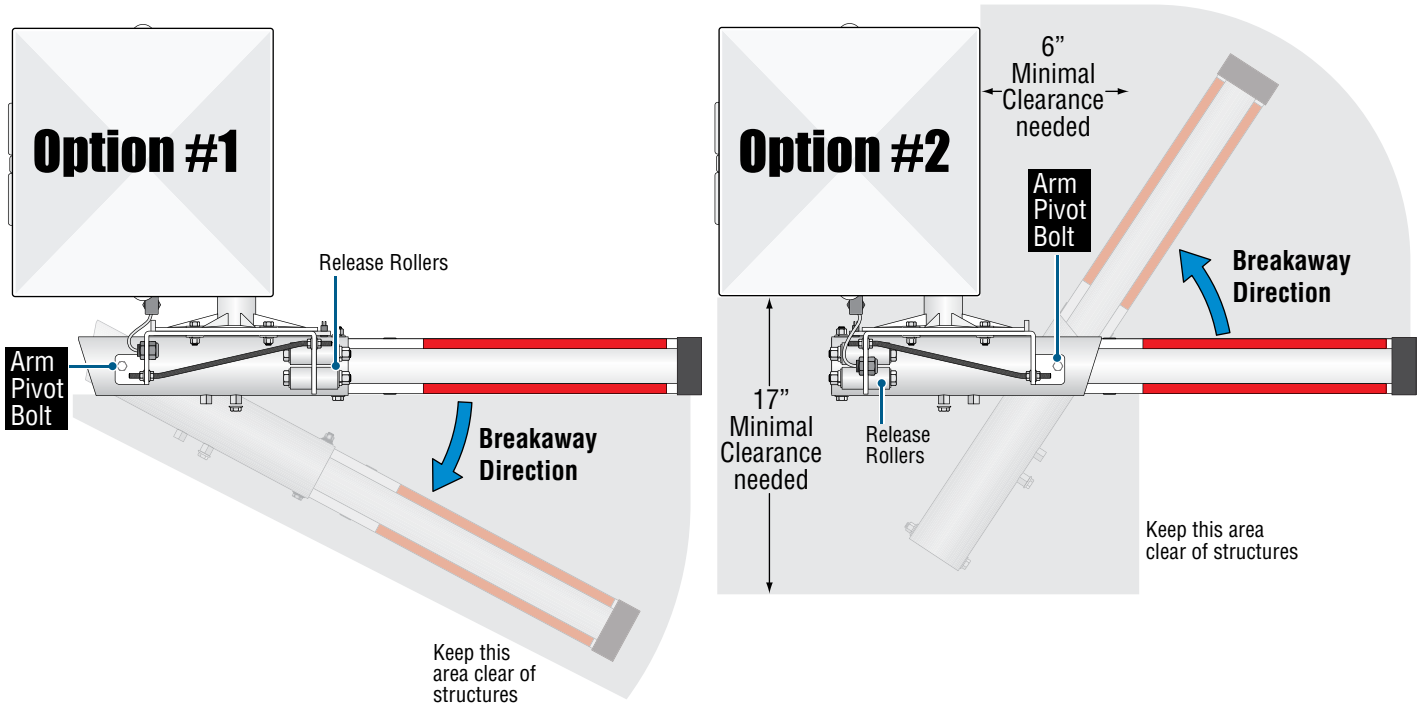
1601-285

This kit is designed for a 1601 barrier gate operator **ONLY**. It **CANNOT** be used with 1602 or 1603 operators. The kit provides a breakaway bracket assembly for a **round arm**.

If the arm is struck and breaks away (pivots in **ONE DIRECTION ONLY**, see below), gate operator will automatically shut down. The arm manually snaps back into the release rollers to function normally again.

Breakaway Arm Direction Options

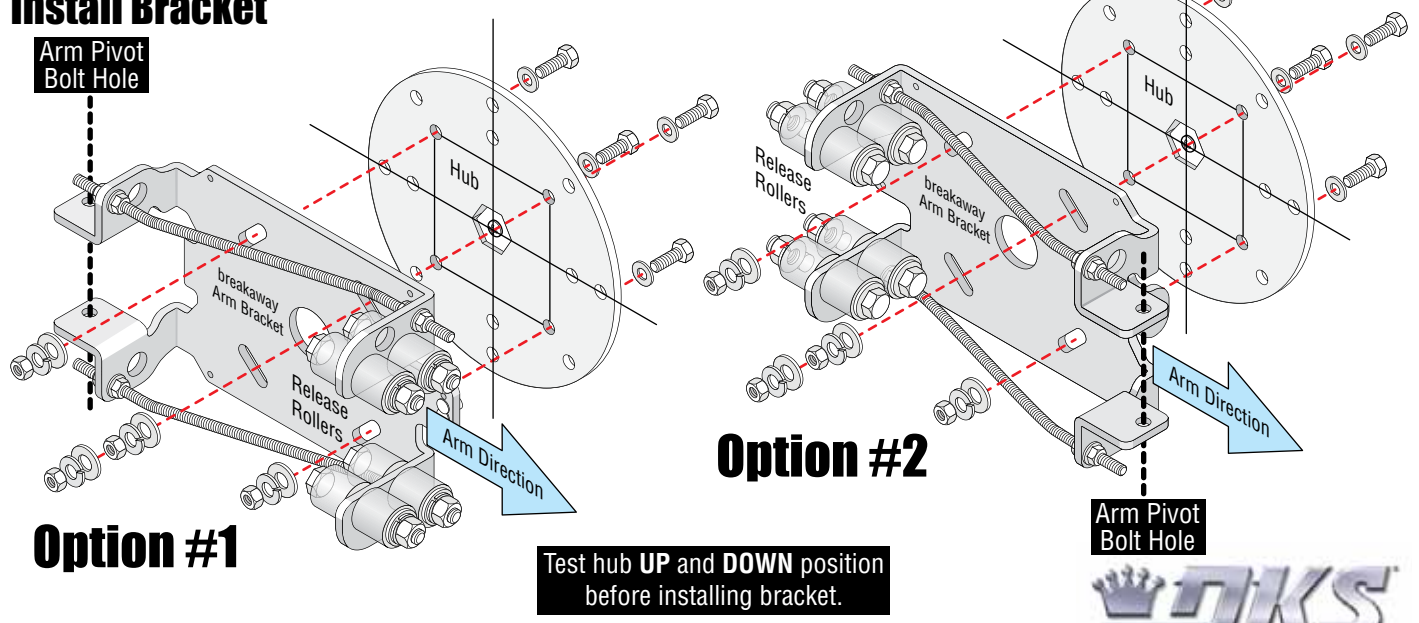
Arm will only pivot in **ONE DIRECTION** depending on which way the breakaway arm bracket is installed. **Choose the desired breakaway direction** and install breakaway arm bracket accordingly (note position of **arm pivot bolt** and release rollers).



Installation

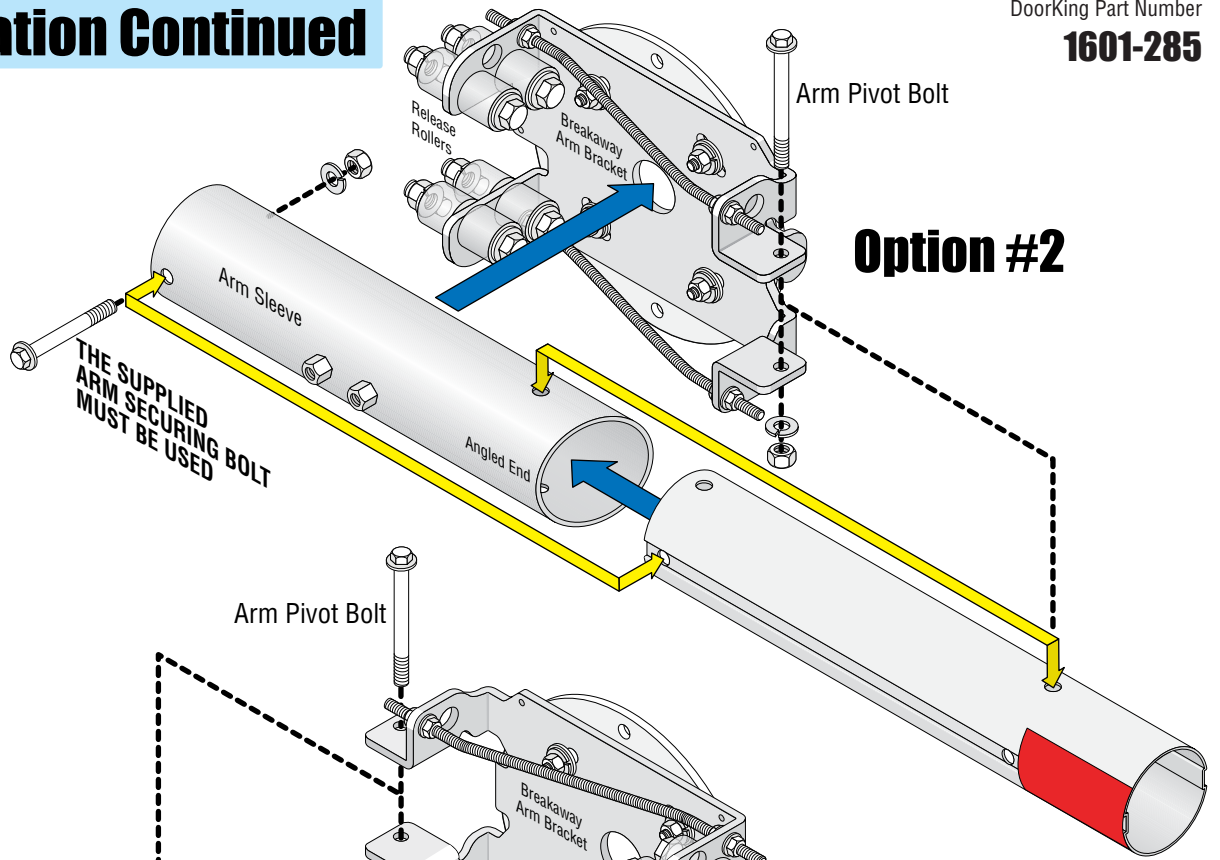
Install Bracket

Hub **MUST** already be installed on gate operator. See your specific Barrier Installation/Owner's manual for correct hub installation.

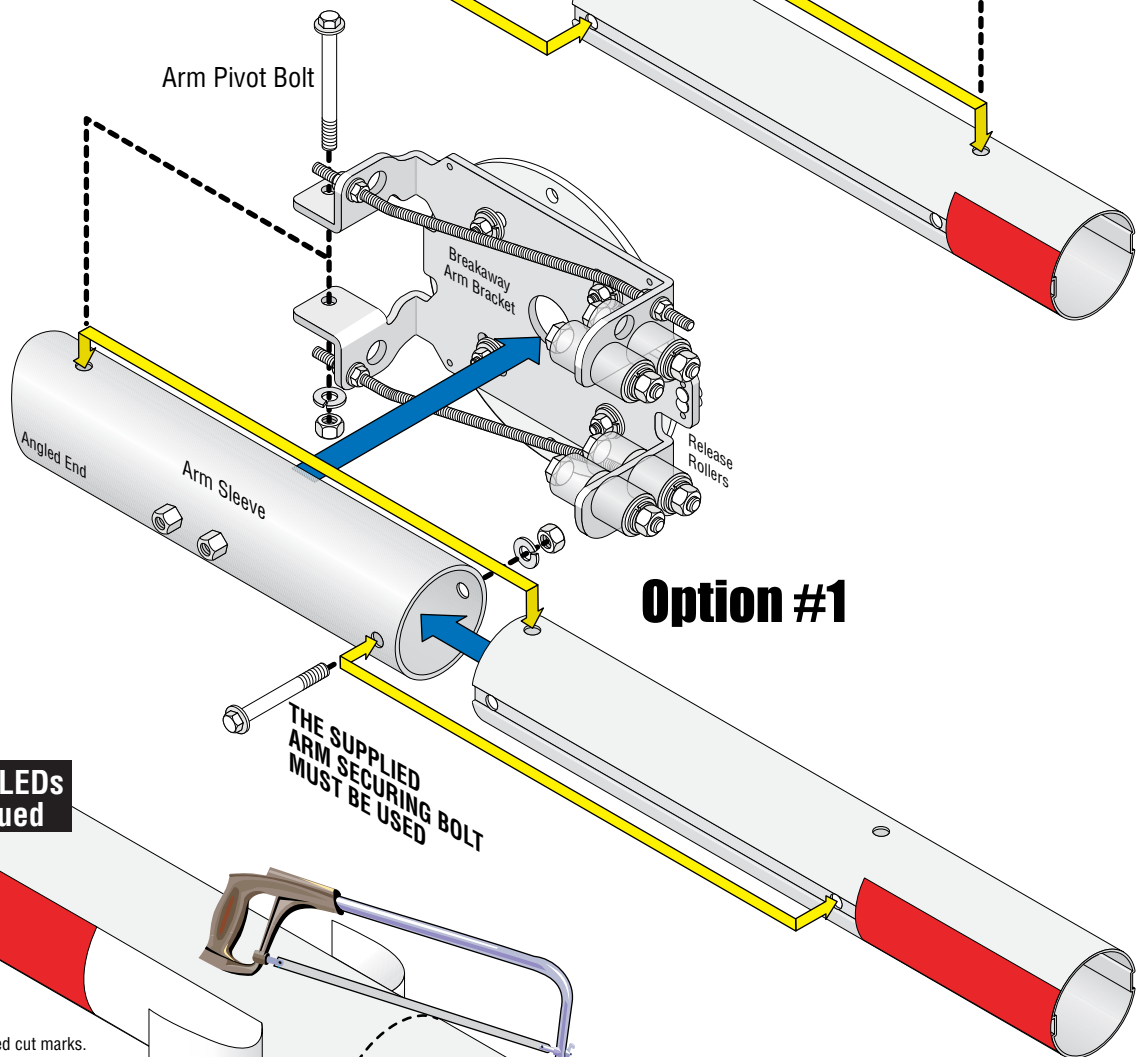


Copyright 2021 DoorKing®, Inc. All rights reserved.

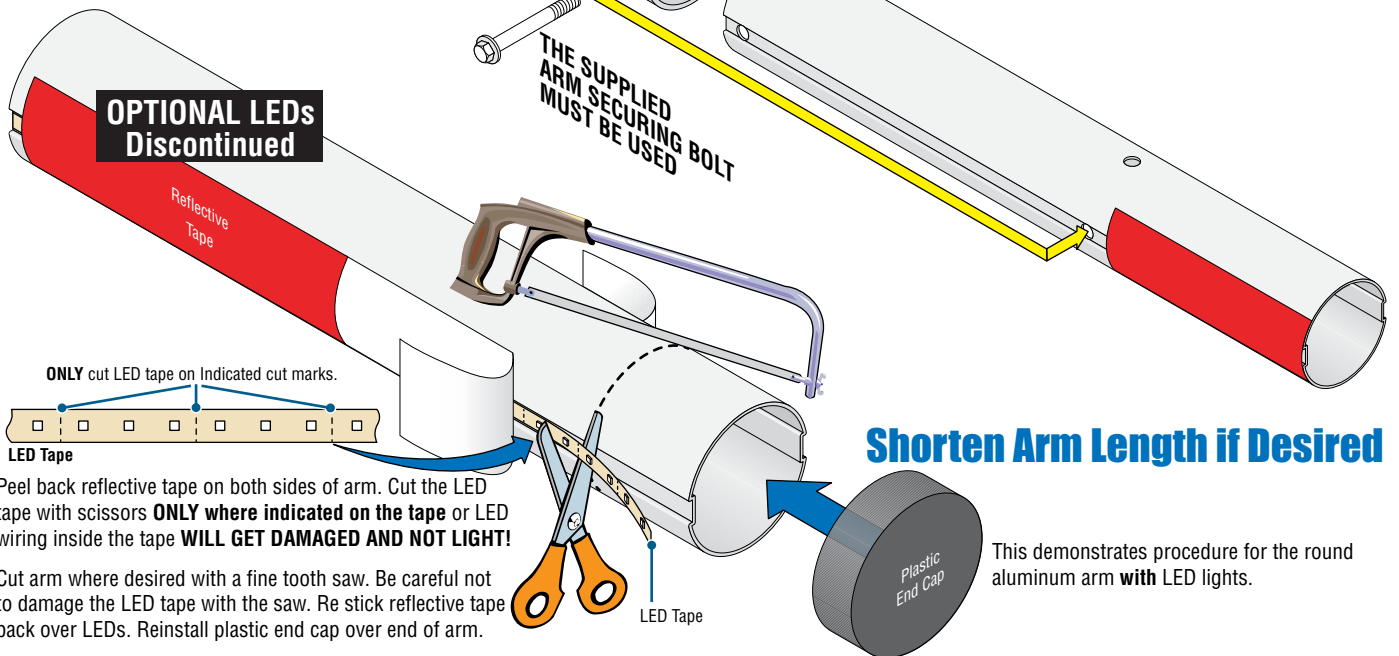
Installation Continued



**THE SUPPLIED
 ARM SECURING BOLT
 MUST BE USED**



**THE SUPPLIED
 ARM SECURING BOLT
 MUST BE USED**



ONLY cut LED tape on indicated cut marks.

Peel back reflective tape on both sides of arm. Cut the LED tape with scissors **ONLY where indicated on the tape** or LED wiring inside the tape **WILL GET DAMAGED AND NOT LIGHT!**

Cut arm where desired with a fine tooth saw. Be careful not to damage the LED tape with the saw. Re stick reflective tape back over LEDs. Reinstall plastic end cap over end of arm.

This demonstrates procedure for the round aluminum arm **with** LED lights.

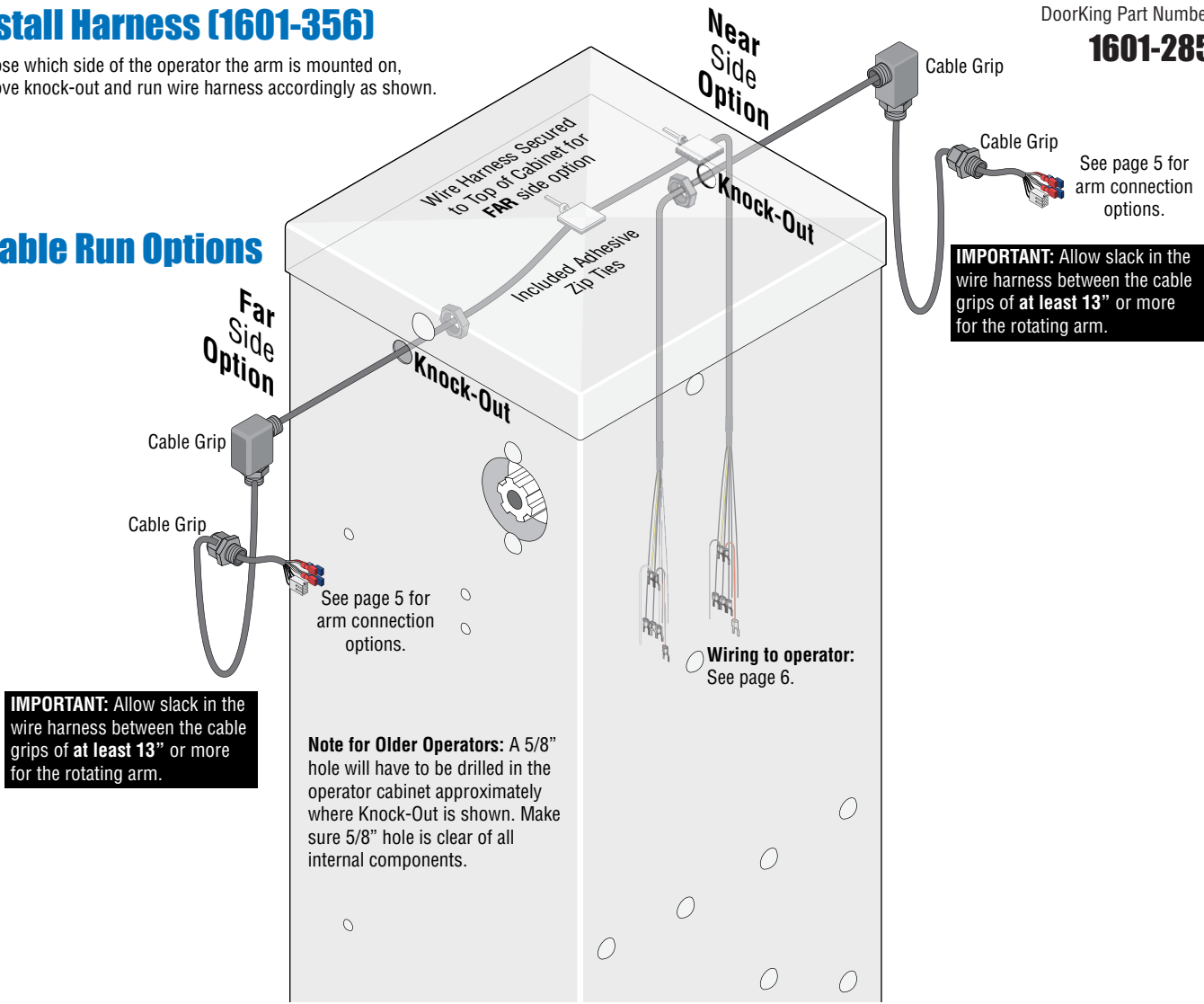
Install Harness (1601-356)

Choose which side of the operator the arm is mounted on, remove knock-out and run wire harness accordingly as shown.

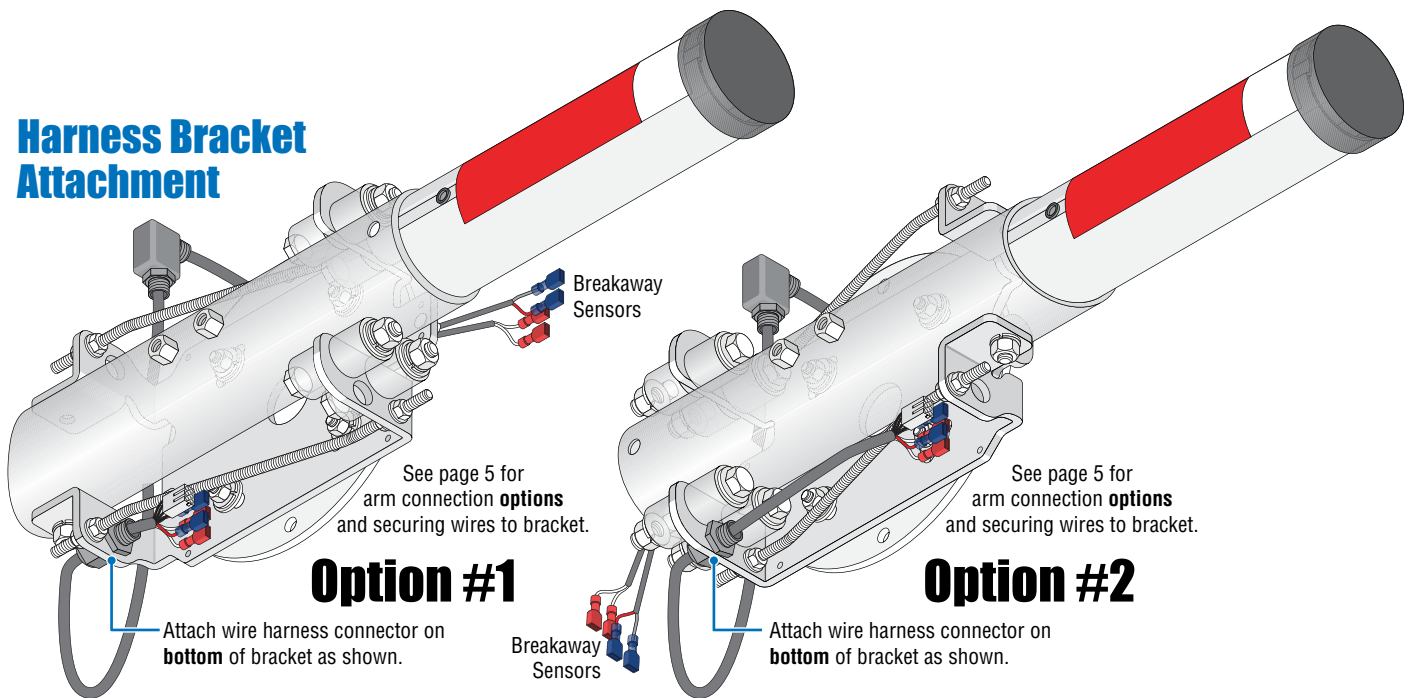
DoorKing Part Number

1601-285

Cable Run Options

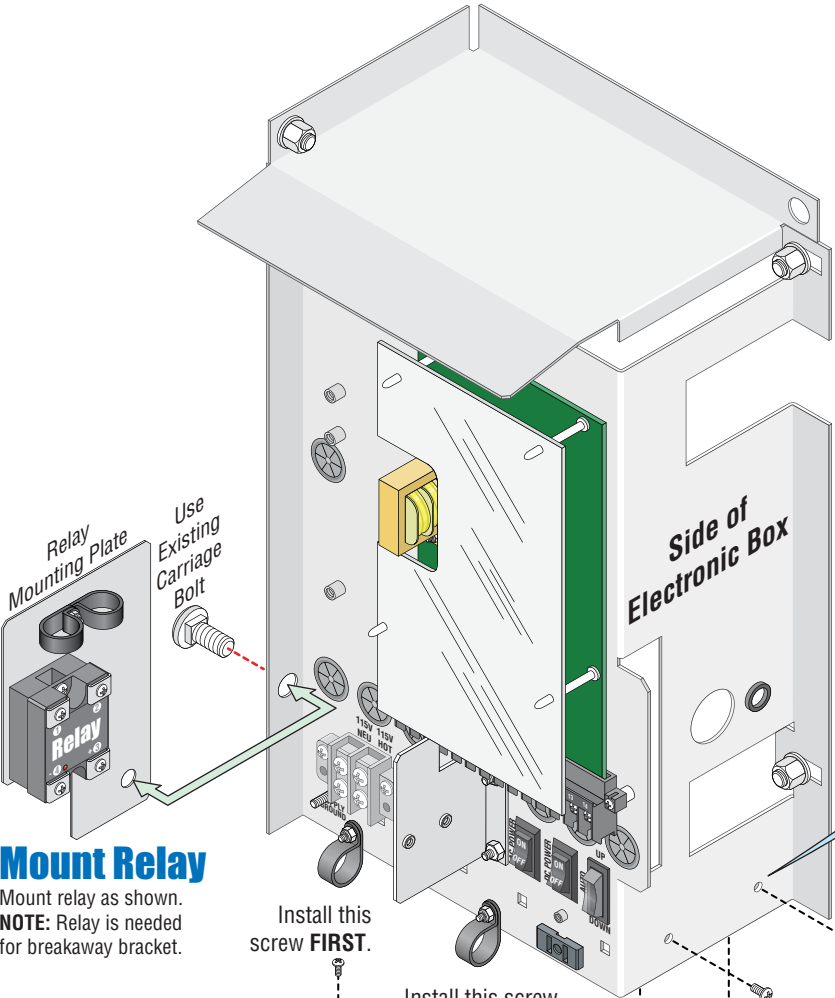


Harness Bracket Attachment



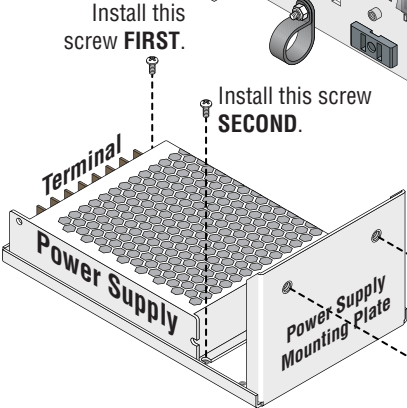
Mount Power Supply and Relay

IMPORTANT: Power supply **MUST** be wired **BEFORE** mounting it as shown. See page 6.

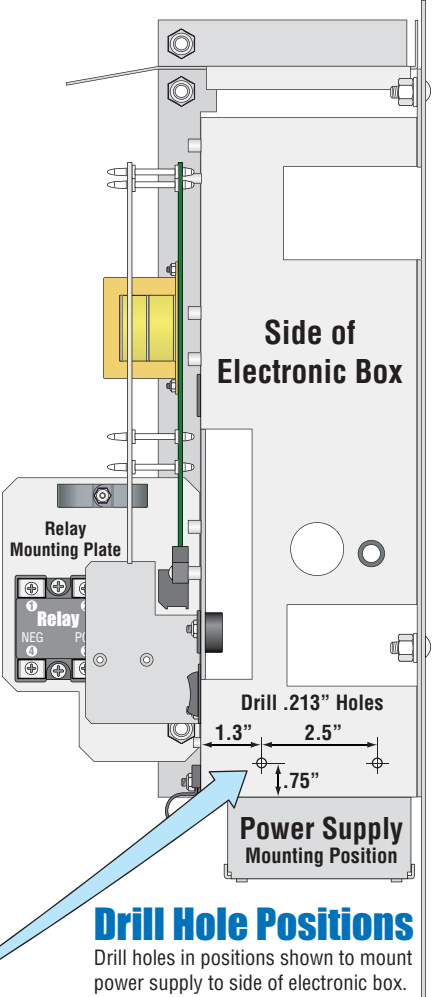


Mount Relay

Mount relay as shown. **NOTE:** Relay is needed for breakaway bracket.

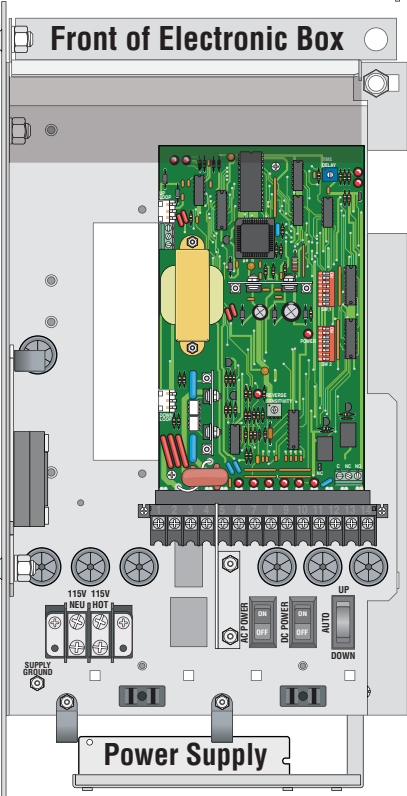


Mount Power Supply



Drill Hole Positions

Drill holes in positions shown to mount power supply to side of electronic box.



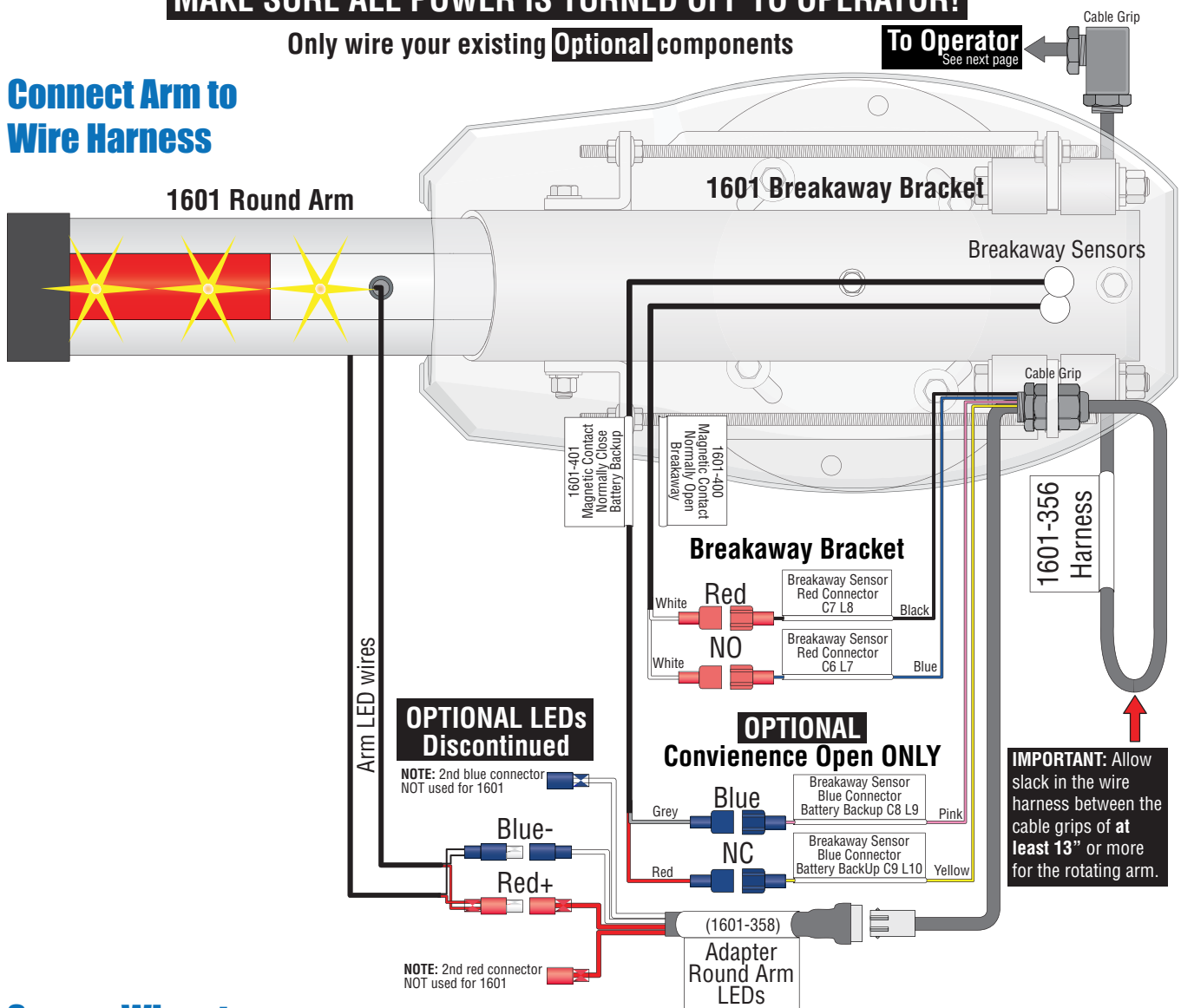
1601 Round Breakaway Arm - Arm Connection

MAKE SURE ALL POWER IS TURNED OFF TO OPERATOR!

Only wire your existing **Optional** components

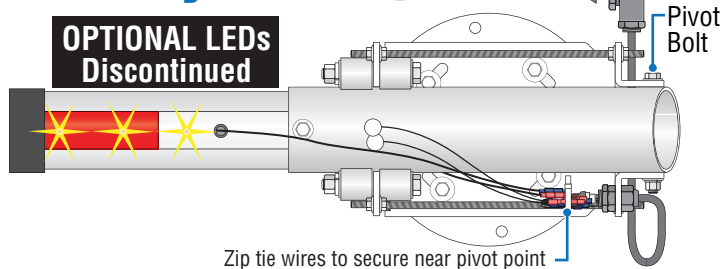
To Operator
See next page

Connect Arm to Wire Harness

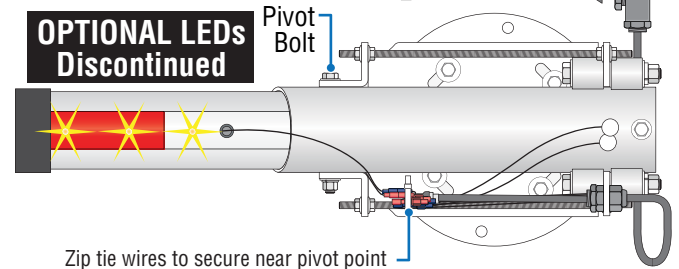


Secure Wires to Breakaway Bracket

Option #1



Option #2



IMPORTANT: To secure wires to bracket, allow for some slack in the wires to account for the arm pivoting when arm "Breaks Away" from bracket. Test breakaway feature to **make sure** there is enough slack in the wires when securing wires.

Breakaway Arm Reset Procedure

If arm gets struck and breaks away, gate operator will automatically shut down (Breakaway sensors are tripped). Simply snap arm back into the release rollers. Make sure all wires are out of the way of the arm when snapping arm back in position. Normal operation can then continue.

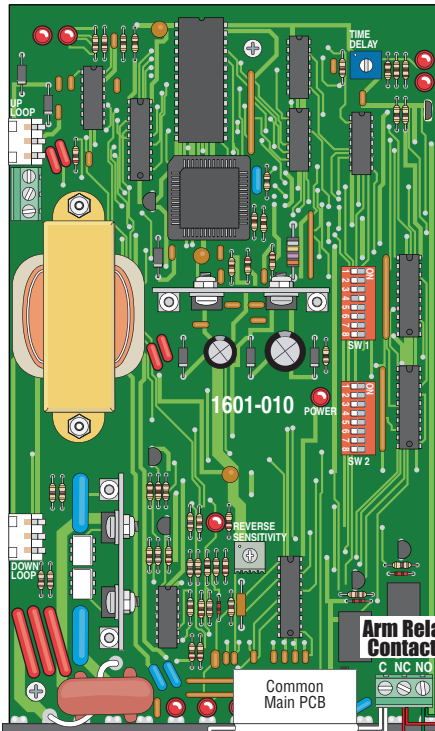
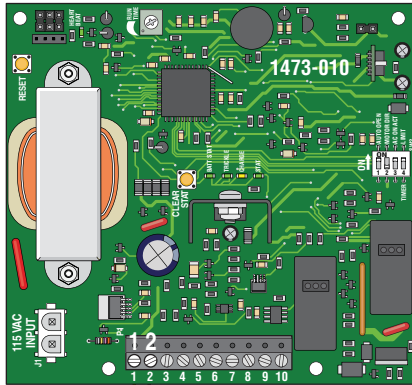
DO NOT OPERATE ARM WITHOUT BREAKAWAY SENSORS FUNCTIONING.

1601 Round Breakaway Arm - Wiring Operator

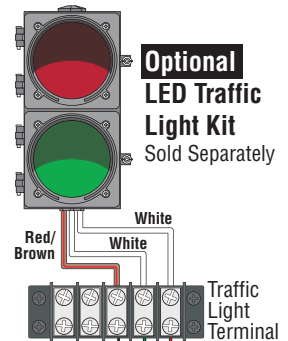
MAKE SURE ALL POWER IS TURNED OFF TO OPERATOR!

OPTIONAL Convenience Open 1473

NOTE: Will **NOT** work with older model 2340-010 convenience open board

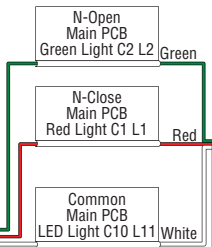


Only wire your existing **Optional** components



Optional
LED Traffic
Light Kit
Sold Separately

Traffic Light Cable



1601-356
Harness

To Arm
See previous page

