



# 1834 80 SERIES TELEPHONE ENTRY SYSTEM



**Flush Mount**  
Shown with trim ring,  
sold separately

**Surface Mount**

**Best suited for applications requiring control of a single door or gate and in applications where card readers or other expansion options are not required**

- Provides both resident and visitor access control into apartment buildings, gated communities, condominiums, office buildings, factories and industrial sites
- Built-in electronic directory
- Large, easy-to-use A-Z-CALL buttons
- Program from the DKS Cloud (requires DKS connection service subscription) with your laptop or tablet or from your dedicated PC using the Remote Account Manager software (free download at [doorking.com/software](http://doorking.com/software)).
- Voice and data programming connection via cellular, internet, or copper POTS lines
- 2-Year limited factory warranty



**Voice and Remote Programming**  
use DKS service options for connection and programming



**Modular**  
easy installation and service.



**Internet Connection**  
A Plug and Play solution that provides both voice and data via your existing internet connection. \*DKS subscription service required.



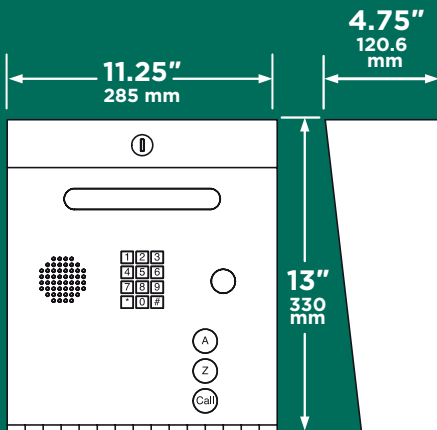
**Internal LED**  
lit keypad and A-Z-CALL buttons.



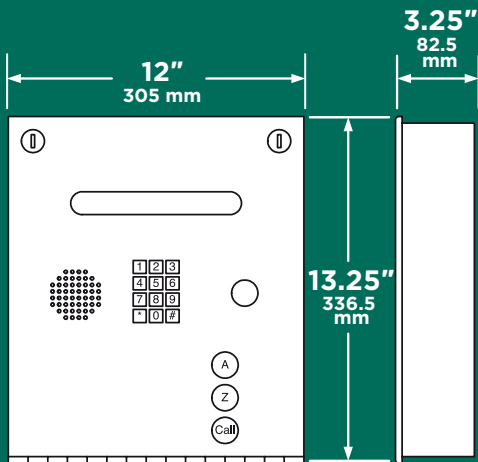
**DKS Cloud Programming**  
available with DKS Cellular, VoIP Internet or IM Server subscriptions.



# 1834 80 SERIES TELEPHONE ENTRY SYSTEM



**1834 Surface Mount**



**1834 Flush Mount**

## 1834 80 SERIES

PHONE # MEMORY	3000
ENTRY CODES	3000 (4-digit)
DEVICE CODES	0
DOOR CONTROL	2 Doors
DIRECTORY	Single Line LCD Display
ELEVATOR CONTROL	No
PROGRAMMING	DKS Cloud or a PC with Remote Account Manager Software*
TRANSACTION BUFFER	8000 Events

\* DKS Remote Account Manager Software for PC is available as a free download at [doorking.com/software](http://doorking.com/software). Cloud Account Manager Programming is available at [doorking.com/easy-connect/programming/cloud](http://doorking.com/easy-connect/programming/cloud)

## TECHNICAL FEATURES

### MECHANICAL

- Stainless steel faceplate
- Galvanized steel sub-plate
- Metal keypad, with Internally lit LED keypad and A-Z-CALL buttons
- Offset speaker holes for protection
- Hands free voice operation (optional handset)
- Surface and Flush mounting styles
- Flush mount requires flush mounting kit
- Enclosures are rated NEMA 4x

### CONNECTION OPTIONS<sup>1</sup>

- Cellular *powered by AT&T 4G LTE*
- Internet *select DK VoIP or your own VoIP provider*
- POTS *Plain Old Telephone Service<sup>2</sup>*

1. Connection options noted will incur additional cost for required hardware and/or service subscriptions. DKS Cloud programming included at no charge with DKS connection subscriptions.

2. POTS connection is not recommended for programming as modem communications can no longer be guaranteed.

### SPECIFICATIONS

- Single line 20 character super-twist LCD display
- 1/2 inch characters
- 16 VAC (2 power transformers included)
- Full Duplex voice communication
- Stores up to 3000 phone numbers, 255 area codes
- Transaction buffer stores last 8000 events
- Control 2 entry points
- Programmable directory codes (1 to 4 digits)
- 10 & 11 digit dialing capability
- Four-digit entry codes
- Built-in clock / calendar
- Live Transactions feature (requires TCP/IP internet connection or RS-232 connection)

### MISCELLANEOUS

- Environmental: 10°F to 145°F (-12°C to 62°C)
- Heater kit (P/N 2600-584) recommended when temperatures routinely fall below 10°F (-12°C)
- ADA Compliant handset kit (P/N 1807-012)
- Camera Ready: Optional B&W or Color CCTV camera\*
- \*may require additional CCTV equipment
- Shipping weight approximately 15-20 Lbs (6.8-9 kg)

FCC (US) DUF6VT-12874-OT-T  
DOC (CAN) 1736 4528 A



AT&T, the AT&T logo and all other AT&T marks contained herein are trademarks of AT&T Intellectual Property and/or AT&T affiliated companies.

## DoorKing® Inc.

Access Control Solutions since 1948



120 S. Glasgow Avenue,  
Inglewood, California 90301 U.S.A.  
Tel: 310-645-0023 FAX: 310-641-1586  
[www.doorking.com](http://www.doorking.com)

© 2020 All Rights Reserved.  
Product specifications may change without notice. Rev. 12/20



### MEMBER:



### DISTRIBUTED BY:

