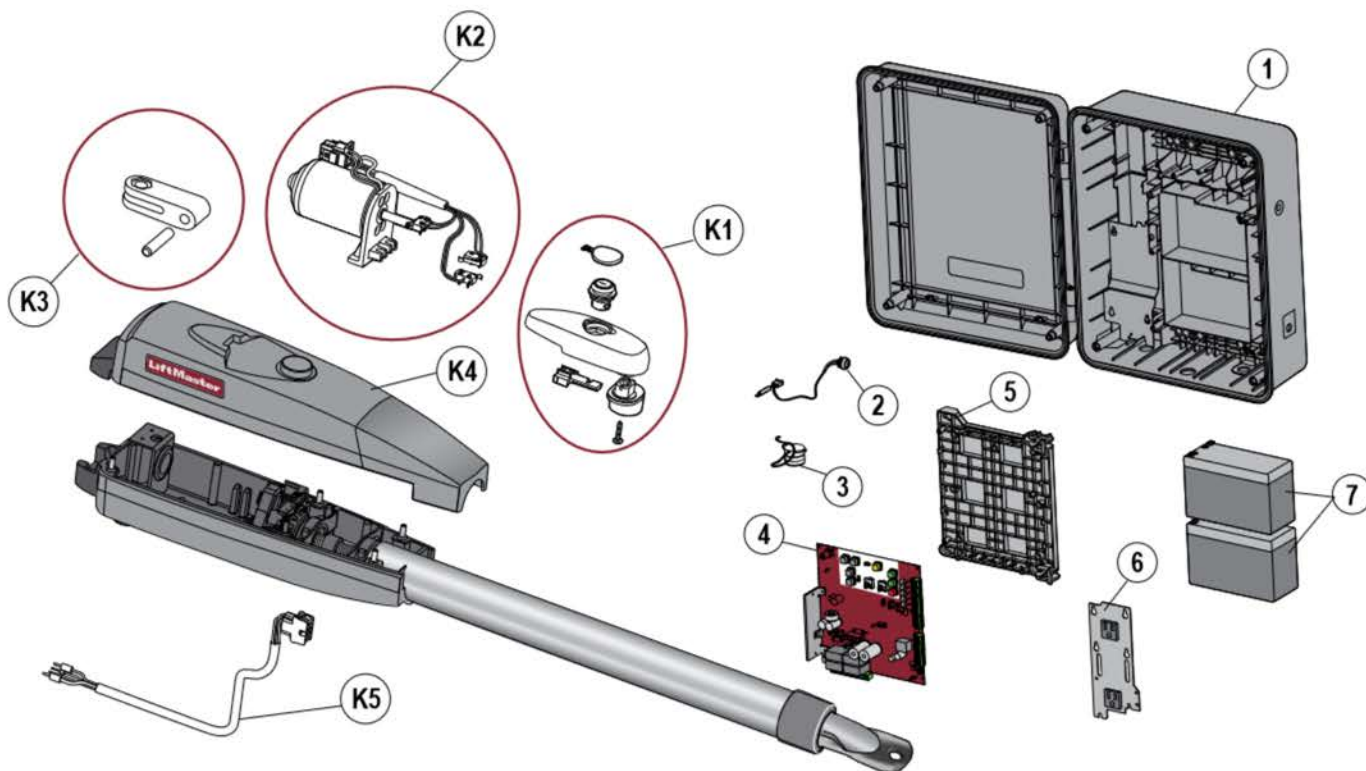


LA400U, LA400UL

INDIVIDUAL REPLACEMENT PARTS



STANDARD CONTROL BOX INDIVIDUAL PARTS

KEY#	PART#	DESCRIPTION
1	K74-36798-5	CONTROL BOX, PLASTIC, LA400U
	K74-39307-2	CONTROL BOX, PLASTIC, LA400UL
2	K94-36408-2	RESET SWITCH, LA400
3	K94-36411	PIEZO ALARM
4	K75-36635	CONTROL BOARD MOUNTING BRACKET
5	K1D8388-1CC	MAIN BOARD, LINEAR ACTUATORS, UL325
6	K76-36296-1	RECEPTACLE
7	K74-30762	BATTERY PACK, 12V, 7A
NOT SHOWN IN DIAGRAM		
	K1D8388-1CCU	UPGRADE KIT WITH EYES, LA, UL325
	K94-36274-1	BATTERY WIRE HARNESS, 7AH, LA500
	K77-36541	ANTENNA
	K74-30941	FUSE KIT
ACCESSORIES		
	APOW3	TRANSFORMER

GATE OPERATOR ARM PARTS

KEY#	PART#	DESCRIPTION
K1	041ASWG-0442SA	RELEASE LEVER
K2	041ASWG-0438SA	MOTOR, 24V
K3	041ASWG-0014SA	REAR CONNECTOR
K4	LA400DC	PRIMARY ARM
K5	041ASWG-0489	CABLE 24V 3M WITH CONNECTOR
NOT SHOWN IN DIAGRAM		
	041ASWG-0119	RELEASE KEY, QTY 2
	K77-19130	HARDWARE KIT, LA400, LA412
	K77-19130-1	TWO POST BRACKET KIT, LA400, LA412

NOTE: Service kits and replacement parts marked with the acronym (NLA) are no longer available.
TIME TO UPGRADE? Visit Partner.LiftMaster.com