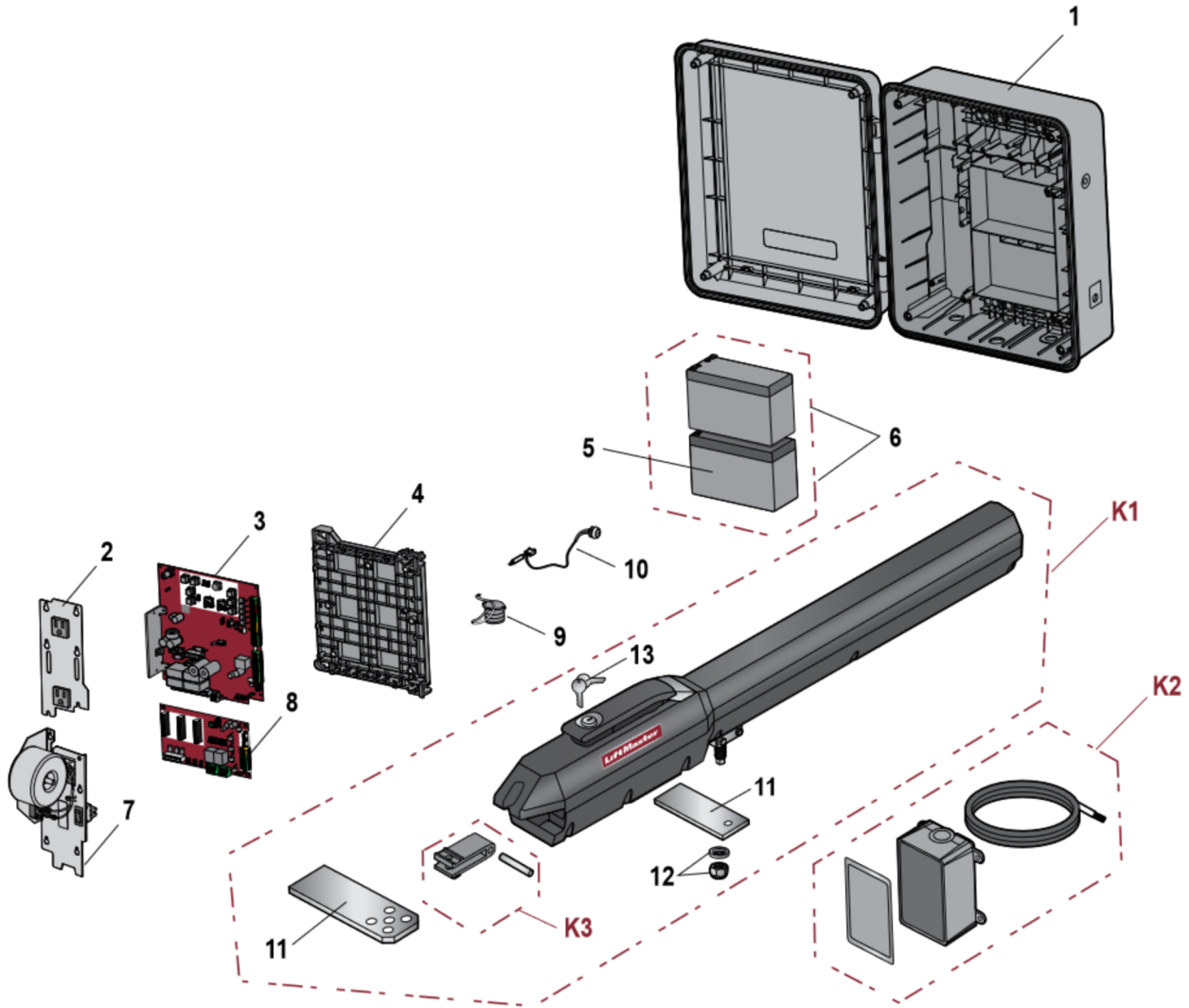


### LA500, LA500U, LA500UL

#### REPLACEMENT PARTS DIAGRAM

SWING GATE



## LA500, LA500U, LA500UL

### INDIVIDUAL REPLACEMENT PARTS

| KEY#                        | PART#                          | DESCRIPTION                         |
|-----------------------------|--------------------------------|-------------------------------------|
| 1                           | <a href="#">K74-36798-4</a>    | CONTROL BOX, PLASTIC, LA500U        |
|                             | <a href="#">K74-39307-1</a>    | CONTROL BOX, PLASTIC, LA500UL       |
|                             | <a href="#">K74-34582-1</a>    | CONTROL BOX, PLASTIC, LA500CONT     |
| 2                           | <a href="#">K76-36296-1</a>    | RECEPTACLE                          |
| 3                           | <a href="#">K1D8388-1CC</a>    | MAIN BOARD, LINEAR ACTUATORS, UL325 |
| 4                           | <a href="#">K75-36635</a>      | CONTROL BOARD MOUNTING BRACKET      |
| 5                           | <a href="#">29-NP712</a>       | BATTERY, 12V, 7AH                   |
| 6                           | <a href="#">K74-30762</a>      | BATTERY PACK, 12V, 7A               |
| 7                           | <a href="#">LA500HDIKITSTD</a> | TORROID TRANSFORMER KIT             |
| 8                           | <a href="#">K1D8387-1CC</a>    | EXPANSION BOARD, UL325              |
| 9                           | <a href="#">K94-36411</a>      | PIEZO ALARM                         |
| 10                          | <a href="#">K94-36408-1</a>    | RESET SWITCH WITH ID RESISTOR KIT   |
| 11                          | <a href="#">K77-50240</a>      | MOUNTING BRACKET, Q230              |
| 12                          | <a href="#">K77-50336</a>      | TRAVELER CARRIAGE WASHER KIT, Q232  |
| 13                          | <a href="#">041ASWG-0119</a>   | RELEASE KEY, QTY 2                  |
| <b>NOT SHOWN IN DIAGRAM</b> |                                |                                     |
|                             | <a href="#">K1D8388-1CCU</a>   | UPGRADE KIT WITH EYES, LA, UL325    |
|                             | <a href="#">K77-36541</a>      | ANTENNA                             |
|                             | <a href="#">K77-36389</a>      | HARDWARE KIT, LA500                 |
|                             | <a href="#">LA500CONTUL</a>    | CONTROL-BOX, PLASTIC, LA500CONTUL   |
|                             | <a href="#">K94-36274-2</a>    | WIRE HARNESS KIT, LA500             |
|                             | <a href="#">K94-34778</a>      | BOARD TO BOARD WIRE HARNESS, 24V    |
|                             | <a href="#">K001A5747</a>      | RECEIVER MODULE, 315MHZ             |
|                             | <a href="#">K74-30754</a>      | BATTERY HARNESS                     |
|                             | <a href="#">XLSOLARCONTUL</a>  | SOLAR XL CONTROL BOX                |

### SERVICE KITS

| KEY# | PART#                     | DESCRIPTION                 |
|------|---------------------------|-----------------------------|
| K1   | <a href="#">K-LA500UL</a> | LA500 REPLACEMENT ARM       |
| K2   | <a href="#">K94-36591</a> | JUNCTION BOX WITH CABLE KIT |
| K3   | <a href="#">KSWG-0623</a> | REAR CONNECTOR KIT, LA500   |

### METAL ELECTRICAL BOX INDIVIDUAL REPLACEMENT PARTS

| PART#                       | DESCRIPTION                       |
|-----------------------------|-----------------------------------|
| <b>NOT SHOWN IN DIAGRAM</b> |                                   |
| <a href="#">K74-34696-3</a> | CONTROL BOX, METAL, LA500         |
| <a href="#">K74-39309-1</a> | CONTROL BOX, METAL, LA500UL       |
| <a href="#">K76-34771</a>   | METAL RECEPTACLE                  |
| <a href="#">K94-36894</a>   | LA500 METAL BOX WITH RESET SWITCH |
| <a href="#">K94-37236</a>   | SOLAR HARNESS KIT                 |
| <a href="#">K94-36274-1</a> | BATTERY WIRE HARNESS, 7AH         |
| <a href="#">K94-36596</a>   | BATTERY WIRE HARNESS, 33AH        |
| <a href="#">K10-36395</a>   | BATTERY TRAY, 33AH                |
| <b>ACCESSORIES</b>          |                                   |
| <a href="#">APOW3</a>       | TRANSFORMER                       |

**NOTE:** Service kits and replacement parts marked with the acronym (NLA) are no longer available.  
**TIME TO UPGRADE?** Visit [Partner.LiftMaster.com](#)