

Barrier MHTM™ MicroDrive

ACCESS

ACCESS PRO

ACCESS SELECT

PARKING

PARKING PRO

PARKING SELECT

Short instructions



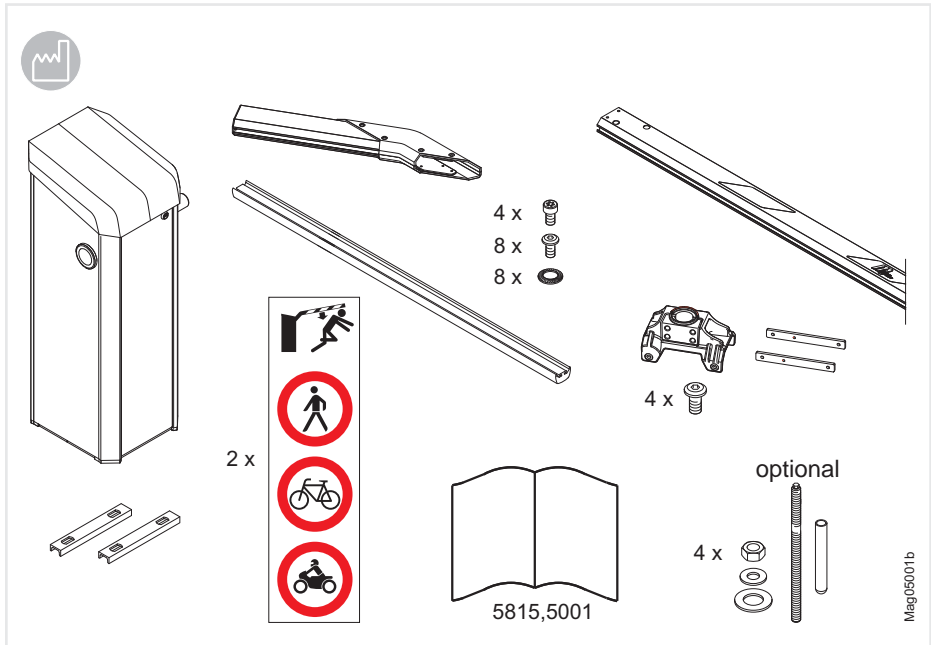
WARNING!

These instructions are short instructions. These instructions do not replace the operating instructions "MHTM™ MicroDrive" (Doc.-ID: 5815,5001) that are part of the delivery.

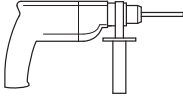
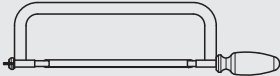
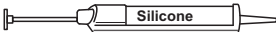




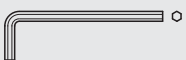

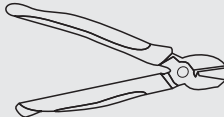
These short instructions are targeted at specialists who already have experience with assembly, installation and commissioning.

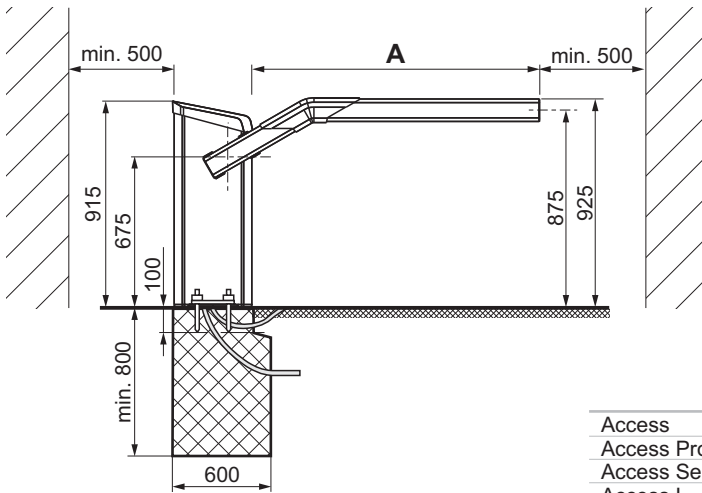
For detailed information, see the operating instructions. Read the operating instructions carefully before commencing any work. The prerequisite for secure work is compliance with any safety notes and instructions for actions included in the operating instructions.

The manufacturer is not liable for any damage from improper or non-intended use.



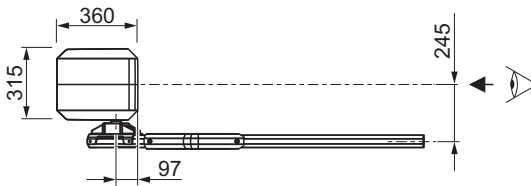
Short instructions

Required tools		
	Impact drill	10 mm
	Saw	–
	Silicone cartridge	–
	Open-face wrench	13 mm
	Torque wrench, hexagon socket	5 AF
	Torque wrench, hexagon socket	10 AF
	Torx wrench	T20
	Hexagon socket wrench	4 AF
	Phillips screwdriver	for 3.5 mm
	Diagonal pliers	–

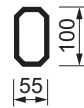


	A
Access	3500
Access Pro	3500
Access Select	3500
Access L	5000
Access Pro L	6000
Access Select L	6000
Parking	3500

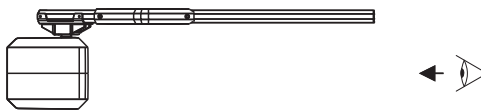
Left version



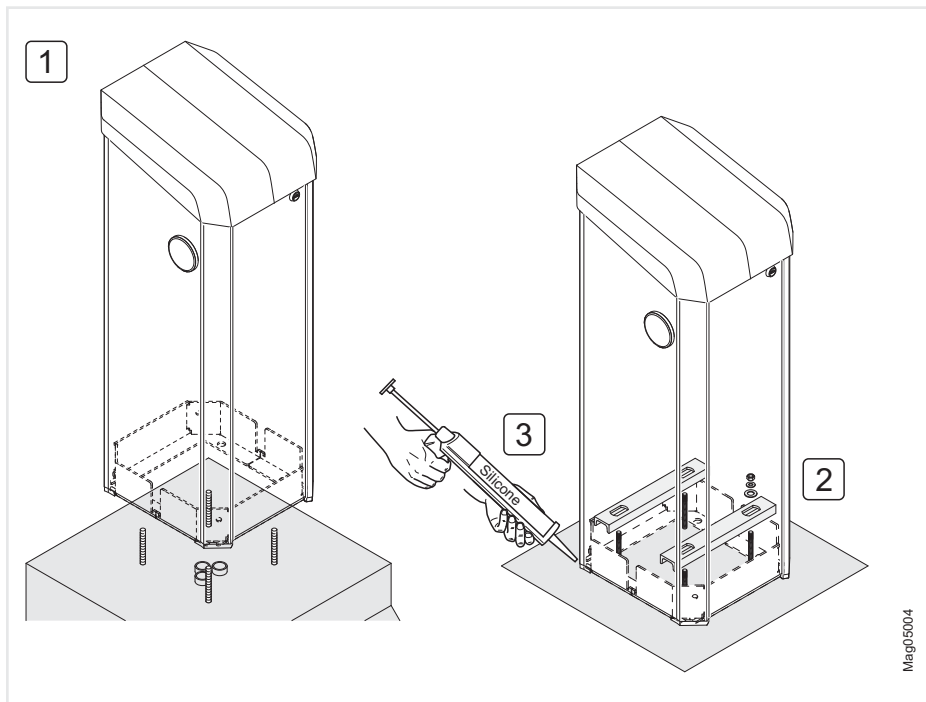
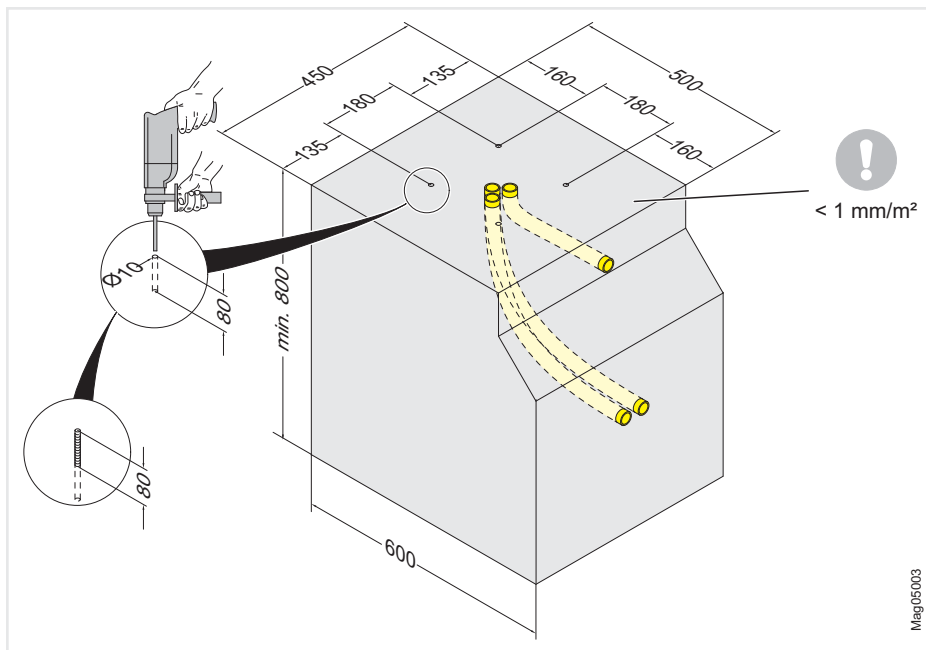
VarioBoom




Right version




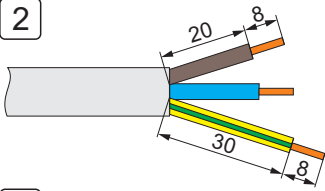
Meg05002c

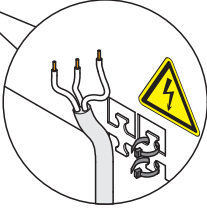


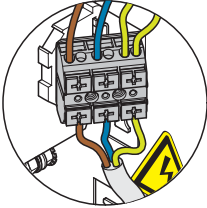
Electrical voltage!



1 


2 


3 


4 

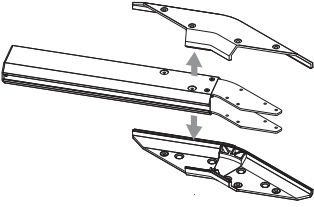
230 V AC / 50 – 60 Hz

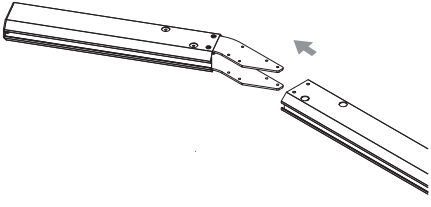
Mag05005

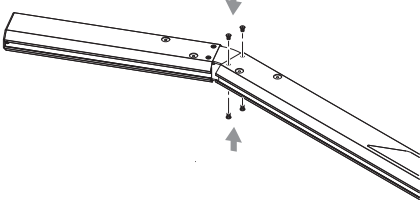
4 x  M6 x 10 (T20)

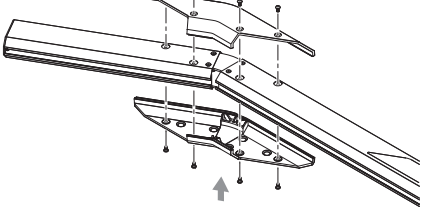
8 x  M6 x 12 (4 AF)

8 x  M8

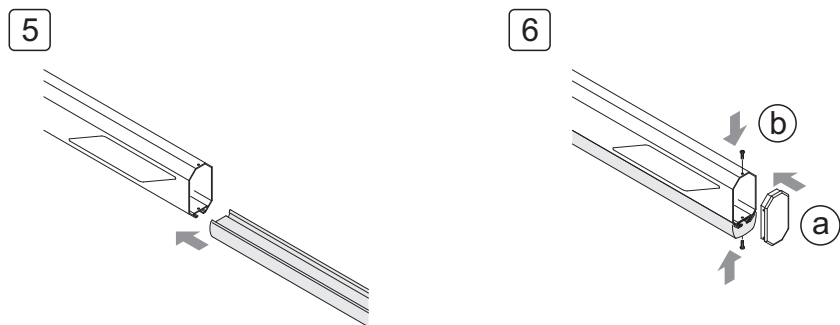
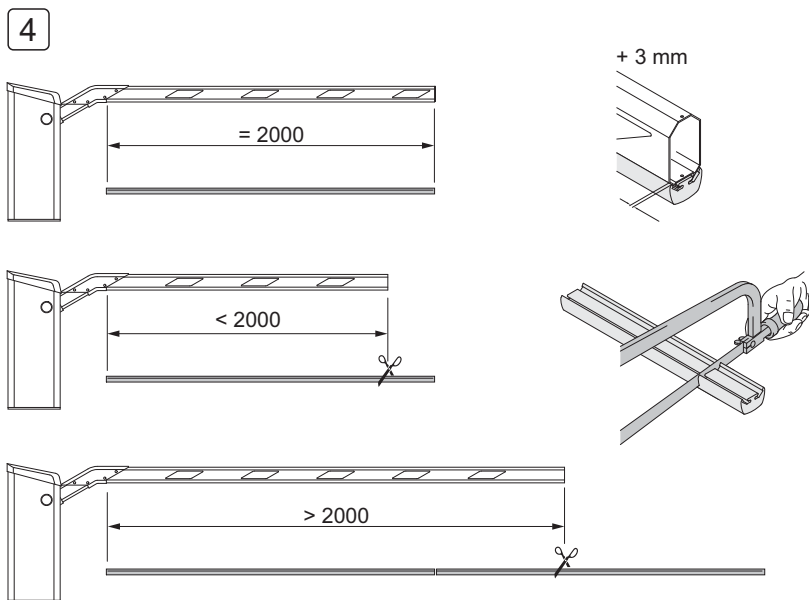
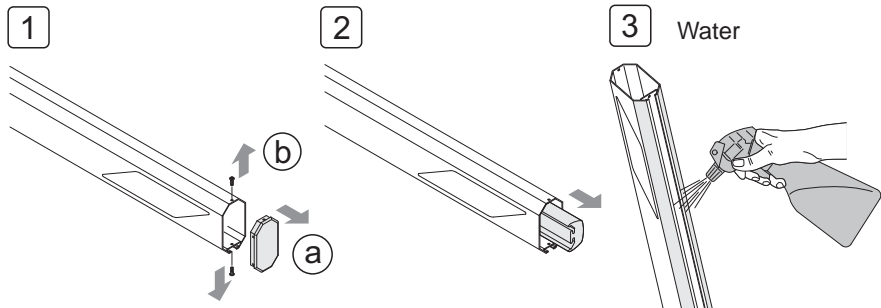
1 

2 

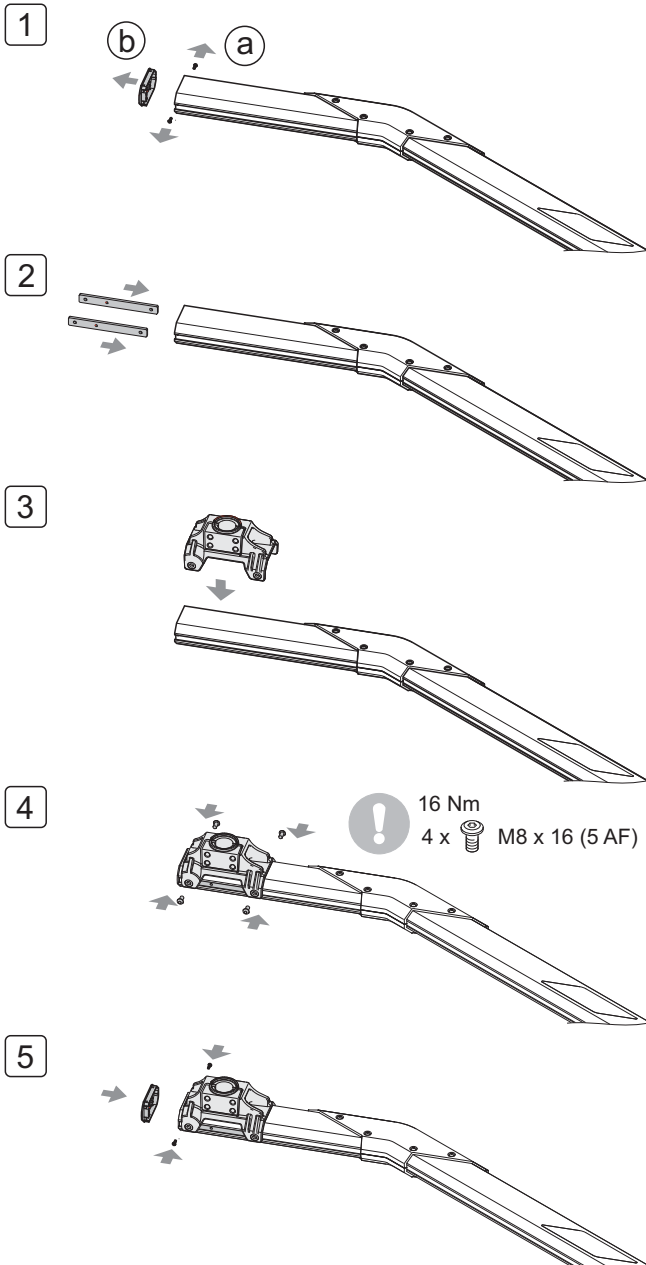
3 

4 

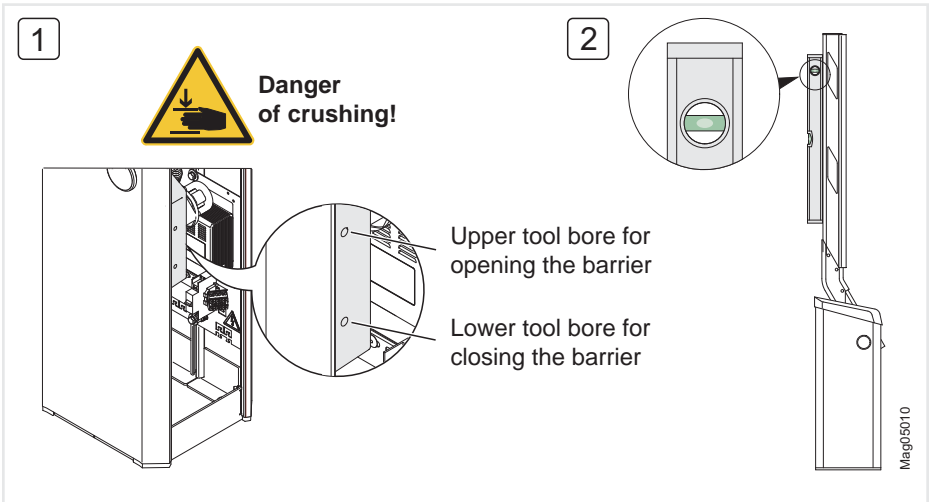
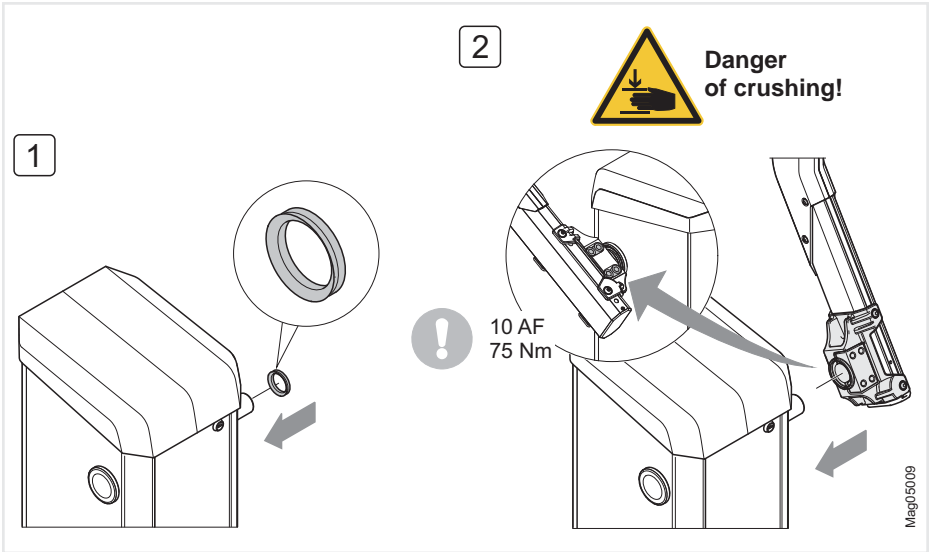
Mag05006a

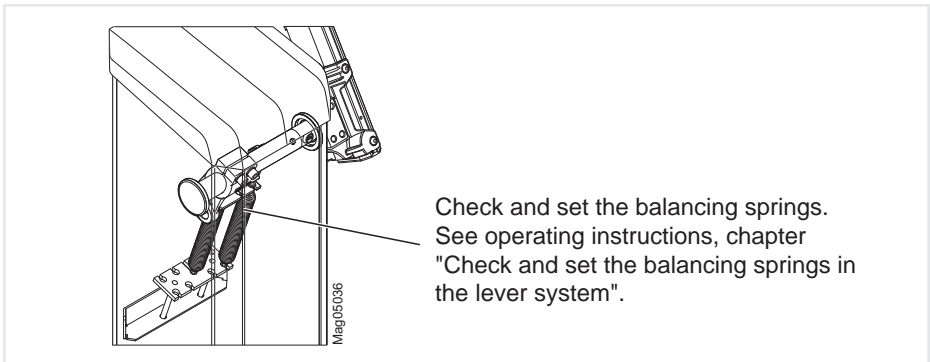
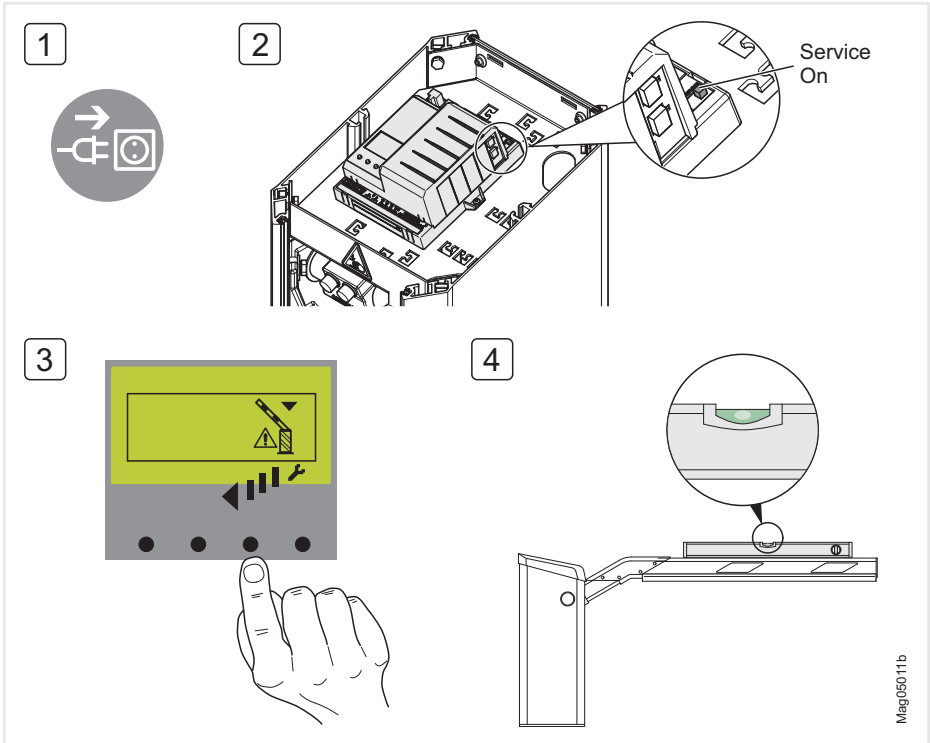


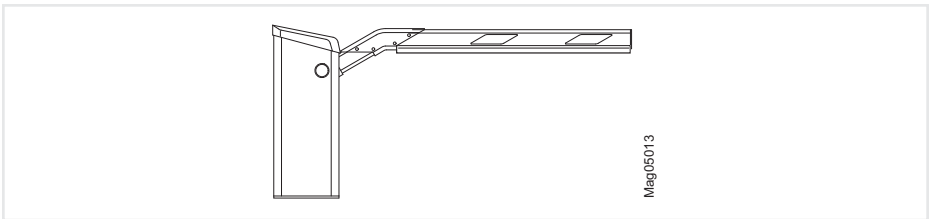
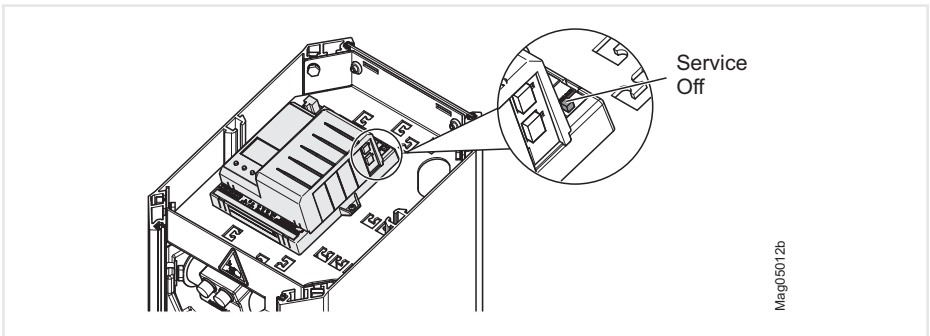
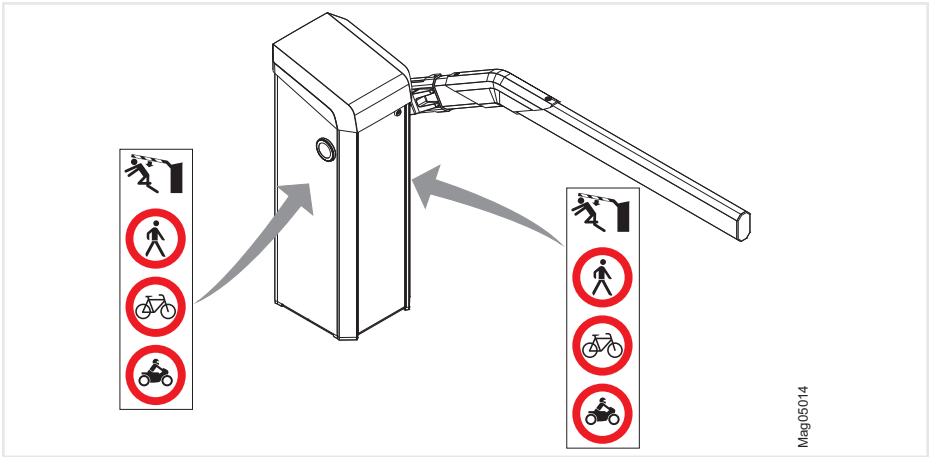
Mag05007a



Mag05008







MAGNETIC Autocontrol GmbH
Grienmatt 20
79650 Schopfheim
Germany
Tel.: +49 (0) 7622 695 5
Fax.: +49 (0) 7622 695 602
info@ac-magnetic.com
www.ac-magnetic.com