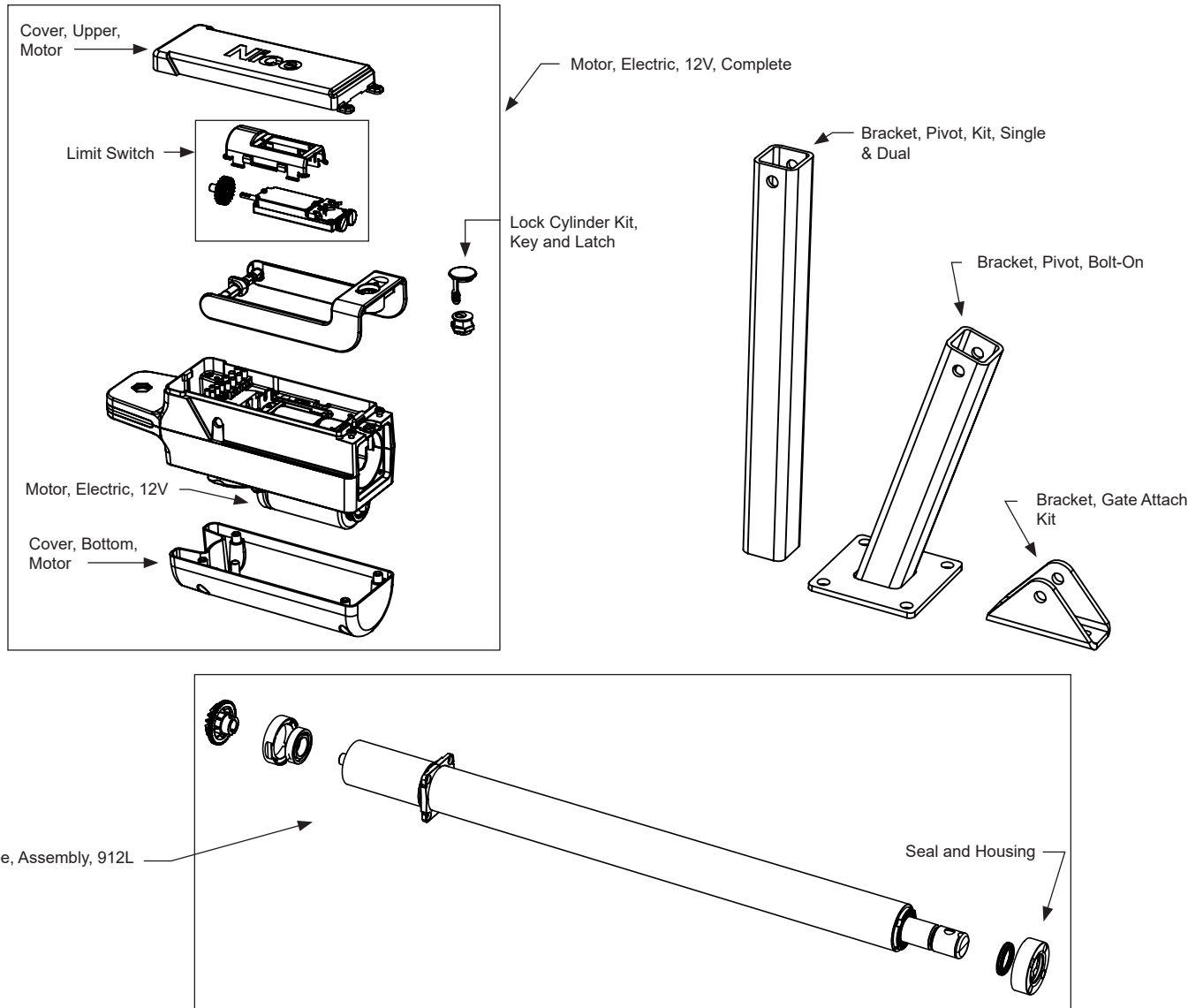




# TITAN Linear Actuator

## Part Diagrams

### 912L Actuator



This drawing is a representation and should be used for parts reference only.

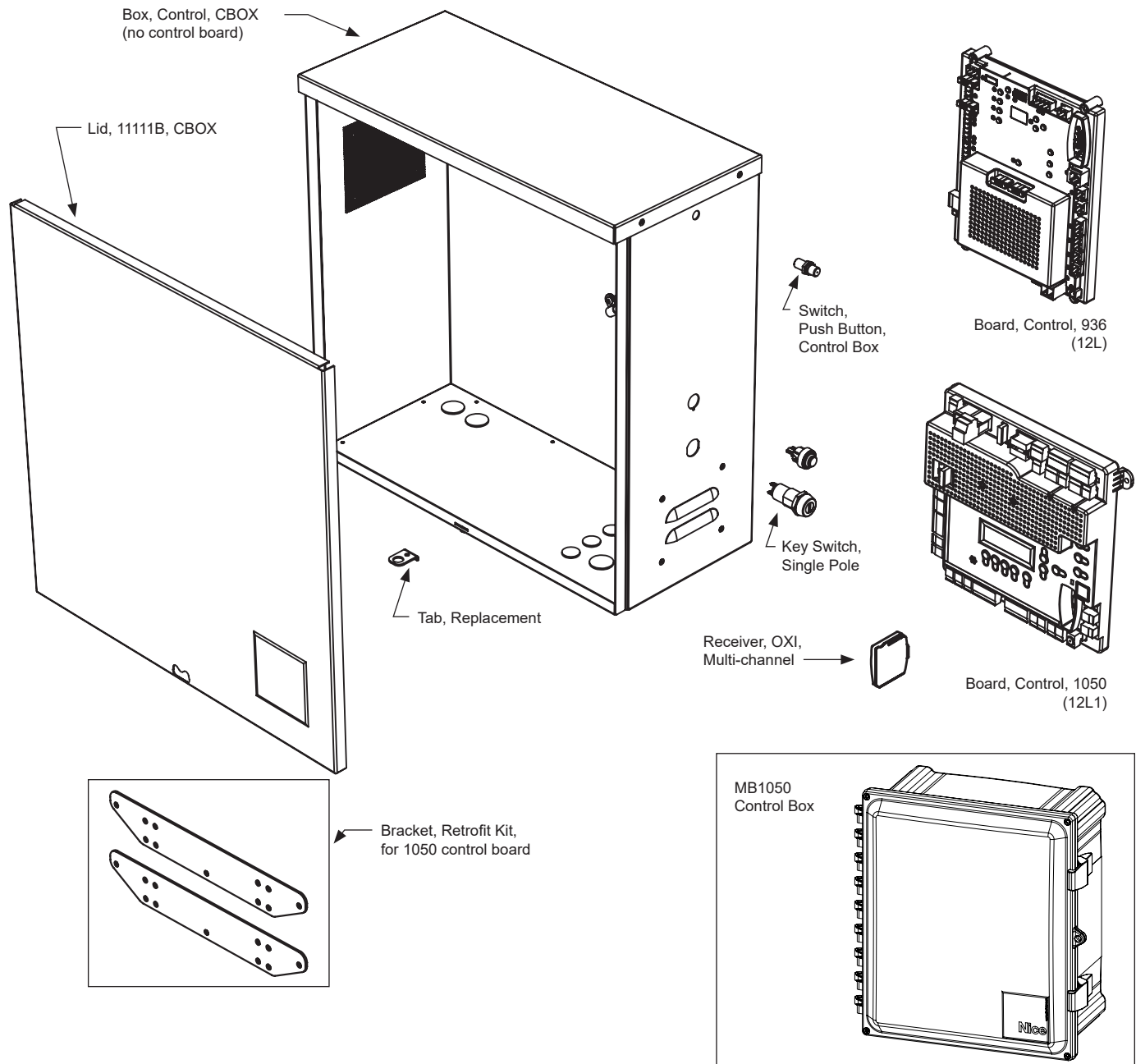
Part Name	Part Number	912L Actuator
Bracket, Gate Attach Kit	10015290	all
Bracket, Pivot, Bolt-On	446	all
Bracket, Pivot, Kit, Single & Dual	10055490	all
Cover, Motor, Bottom	PD0929A3000	all
Cover, Upper	PD0942A3000	all
Limit Switch	SPSWLSM-01	all
Lock Cylinder Kit, Key and Latch	10070000	all
Motor, Electric, 12V	SPSW912-01	all
Motor, Electric, 12V, Complete	SPAMG205A00	all
Seal and Housing	SPTTN03	all
Tube, Assembly, 912L	SPAMG206A00	all

# TITAN Linear Actuator

## Part Diagrams



### CBOX with Control Board and MB1050 Control Box



This drawing is a representation and should be used for parts reference only.

Part Name	Part Number	CBOX, MB1050
Board, Control, 936	936US	CBOX936, 12L
Board, Control, 1050	1050US	CBOX1050, 12L1
Box, Control, CBOX, No Control Board	11111B	CBOX
Box, Control, MB1050	O-MB1050	MB1050
Key Switch, Single Pole	1115	11111B, CBOX
Lid, 11111B, CBOX	10016215	11111B, CBOX
Receiver, OXI, Multi Channel	OXIBD/A	CBOX1050
Switch, Push Button, Control Box	1119	11111B, CBOX
Tab, Replacement	10020915	all, 11111B, 11111C, CBOX