

LOCINOX

Let's make it better together

GATE AND ACCESS CONTROL HARDWARE

for Ornamental and Chain link



HELLO. WE ARE LOCINOX.

We are pioneer in high quality outdoor gate hardware.

Every product is developed based on 4 criteria.



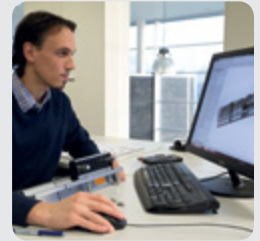
EASE OF USE



WEATHERPROOF



INDUSTRIAL QUALITY



INNOVATIVE DESIGN

WE SAVE YOU TIME & MONEY

Whether you are a fence contractor, distributor, manufacturer or locksmith - an easy and efficient installation is beneficial to everyone. Every Locinox solution meets the highest quality standards: our products withstand the test of time and are designed to cope with the most extreme weather circumstances.



SPEED OF INSTALLATION
SAVE TIME & MONEY



PRODUCT QUALITY
ELIMINATE SERVICE CALLS



LEFT OR RIGHT HANDED
SAVE ON INVENTORY



PATENTED QUICK-FIX MOUNTING BOLTS

The majority of Locinox products are installed using the patented Quick-Fix mounting bolts.



Quick-Fix works just like an anchor bolt, expanding against the inside of your post or gate frame. Each Quick-Fix bolt has a 2,000 lbs holding force guaranteeing a safe and durable installation.

This unique anchor bolt is very easy to install - you just have to drill one hole per Quick-Fix. Each single Quick-Fix has a guaranteed holding force of 2,000 lbs guaranteeing a safe, durable and secure installation.

A MULTITUDE OF APPLICATIONS

Locinox' products are applied in various applications, both commercial and residential! Feel free to browse through nice installations by many of our happy customers at www.locinoxusa.com



INDUSTRIAL & COMMERCIAL



MULTI-FAMILY LIVING



TRANSPORTATION



BIKE PARKS



PRISONS



MILITARY INSTALLATIONS



FESTIVALS



AIRPORTS & PORTS



POWER PLANTS



CAR PARKS



AMUSEMENT PARKS



EDUCATION



PLAYGROUNDS



SPORTS STADIUMS

TABLE OF CONTENTS

GATE CLOSERS	8
AUTOMATION & ELECTRONICS	20
TURNSTILE MECHANISM	27
LOCKS & KEEPS	30
HINGES & DROP BOLTS	37

A COUPLE OF TIPS !



ZILV 9005

24h
SHIPPING



LOC E SHOP
order when it suits you

The chain link icon means the product can be fitted on round frames with optional brackets. If no icon is shown, the product can be fitted to square or rectangular frames only.

Most Locinox products are fitted with the patented Quick-Fix. This highly innovative and extremely strong anchor bolt resists a pulling force of 2,000 lbs per Quick-Fix.

Choose between silver and black, whichever matches your gate best.

All products in this brochure are in stock and can be shipped within 24h from our office in Chicago, IL.

Most of our products are developed for left and right hand gates.

More details such as specs, pictures, drawings, videos and prices are available at www.locinoxusa.com

ACCESS CONTROL SOLUTIONS FOR ANY GATE

SAFE & CONVENIENT SOLUTIONS FOR ADA AND FREE EGRESS GATES



MAMMOTH + DINO (p11)
Powerful 180° hydraulic gate closer and hinge in one, for gates up to 330 lbs

LUKY J5 (p30)
Gate lock with handles – includes 2 US Mortise cylinders

PUSHBAR (p33)
Easy-to-open panic release bar

SLIMSTONE (p20)
Robust, weatherproof and frost-free keypad (IP68)

MODULEC-SA (p21)
Premium surface mounted electric strike

SHIELD-SA (p34)
Aluminum vandal-proof anti pick plate for SA keeps

TRICONE (p24)
Elegant LED exterior light

POWERBOX + DC-POWER (p25)
Transformer housing + Safety power supply

QUALITY & SAFE SOLUTIONS FOR ANY CHAIN LINK GATE



SAMSON-2 (p13)
Strong 150° hydraulic gate closer for heavy gates up to 330 lbs

SB (p13)
Galvanized bracket to mount Samson on chain link gates

LUKY J5 (p30)
Gate lock with handles – includes 2 US Mortise cylinders

3019LA (p34)
Round adaptor plate for locks

6403 (p34)
Round adaptor plate for SH keeps

SHKL (p34)
Industrial stainless steel security keep

SHIELD-SH (p34)
Aluminum vandal-proof anti pick plate for SH keeps

CLH (p34)
Chain link tension bar adapter for locks



SECURE & CHILD SAFE SOLUTIONS FOR SWIMMING POOL GATES

TIGER + PUMA (p10)

Compact self-closing 180° gate closer and hinge in one, for gates up to 165 lbs

FREE VINCI (LFKQ) (p32)

High quality mechanical code lock with one free exit side

PUSHBAR (p33)

Easy-to-open panic release bar

SAKL (p34)

Industrial stainless steel keep

SHIELD-SA (p34)

Aluminum vandal-proof anti-pick plate for SA keeps



SELF-CLOSING PEDESTRIAN GATE WITH MAGNETIC LOCK

MAMMOTH + DINO (p11)

Powerful 180° hydraulic gate closer and hinge in one, for gates up to 330 lbs

SLIMSTONE (p20)

Robust, weatherproof and frost-free keypad (IP68)

MAG (p22)

Magnetic lock - 600 or 1200 lbs with integrated handles

PB-1 + DC-POWER-12V-20W (p25)

Powerbox - Transformer housing (IP66) + Safety power supply 12V and 13V DC

TRICONE (p24)

Elegant LED exterior light (IP54)



Gate closers

Hydraulic gate closers will transform any gate into a self-closing solution. Comfort, safety and peace of mind are guaranteed thanks to pure hydraulic power. High quality components ensure Locinox gate closers to be 100% weatherproof, maintenance-free and extremely durable. A constant and consistent functioning is guaranteed during an ice cold winter or a sweltering summer. The unique concept ensures an easy and efficient fixation thanks to the patented Quick-Fix system. Moreover, closing speed and final snap can be adjusted very precisely and 100% to your customers' wishes.



10 Tiger



11 Mammoth



13 Samson-2

14 Lion

14 Verticlose-2

15 Verticlose-2 Wall

CUTTING EDGE SELF-CLOSING TECHNOLOGY



1 ALWAYS A CONSTANT CLOSING SPEED: FREEZING WINTER TO SIZZLING SUMMER

If your gate closes too slow, children or pets could sneak through. If your gate closes too fast, it might become a problem for wheelchair users. A loud slamming gate is not only annoying for you or your neighbours, it's also harmful for your gates.

3 FUNCTIONS COMFORTABLY

The in-house developed High-Helix screws guarantee a consistent functionality and ensure a comfortable opening speed for the elderly or disabled.

4 DUST- & WATERPROOF

Our gate closers are equipped with rotary seals. These seals protect the gate closers from dirt or dust particles intruding the mechanism, assuring your customers of worry-free functioning for many years to come.

2 ADJUST SPEED AND FINAL SNAP PRECISELY

Some customers prefer their gate to close slowly, while others want it to go a little faster. No problem! All of our hydraulic gate closers can easily be adjusted to the wishes of your customers in a matter of seconds.

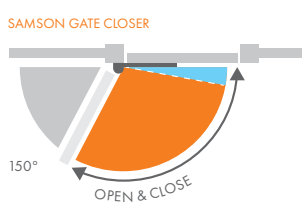
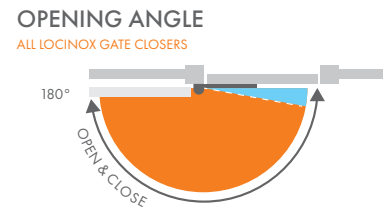
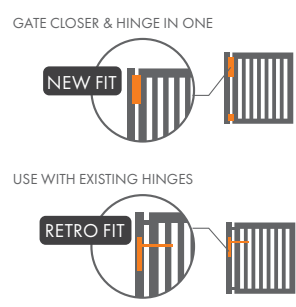
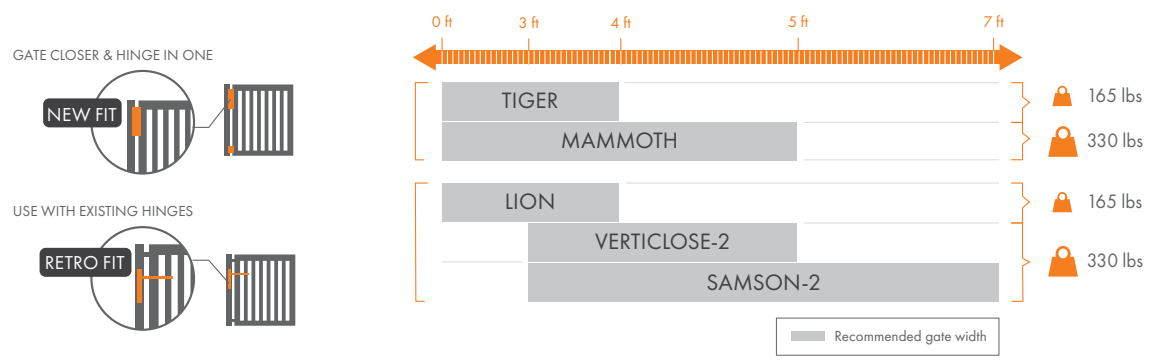
5 CLOSSES EVERY TIME

The powerful torsion spring guarantees the necessary closing force. Therefore, your gate will always close: unaffected by strong winds, the width of your gate wing or the outside temperature. You can rest assured.

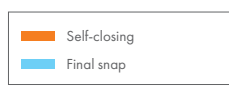
6 100% PROTECTED

The aluminum powder coated housing guarantees full protection against all weather conditions. This housing is frost-free and wind-, dust- and waterproof, allowing your gate closer to function perfectly.

A GATE CLOSER FOR EVERY GATE



Max 150° depending on position of hinge and gate closer



FITS CHAIN LINK WITH OPTIONAL BRACKETS	
TIGER	✓
MAMMOTH	✓
SAMSON-2	✓



A SILENT
OPENING &
CLOSING



SAFE
FOR
WHEELCHAIR
USERS

EXCEPTIONAL
PRECISE ADJUSTMENT OF
SPEED & FINAL SNAP

FOR YOUR
COMFORT



VANDAL
PROOF

10

FEATURES
SETTING LOCINOX
GATE CLOSERS APART!



CHILD
& **PET**
FRIENDLY



DURABLE
TESTED FOR
500 000
MOVEMENTS

EFFICIENT
INSTALLATION
FAST & EASY



100%
HYDRAULIC
GREEN &
MAINTENANCE
FREE

EXTREME
WEATHERPROOF

CONSTANT CLOSING SPEED

-22° ▶ +185°F



3 YEAR
WARRANTY



NEW FIT

GATE CLOSER & HINGE IN ONE

TIGER (patented)



PUMA hinge included

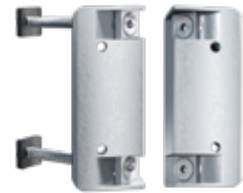
- ✓ Powder coated aluminum housing
- ✓ Double stainless steel bearing
- ✓ 180° closing angle - No gate stop needed
- ✓ Patented hydraulic damping
- ✓ Closing speed unaffected by humidity and temperature changes
- ✓ ADA compliant: low opening resistance: max. 15 Nm (3-5 lbs)
- ✓ Adjustable closing speed & final snap
- ✓ Designed for exterior use: rain & frost-free
- ✓ Secure, fast and easy attachment: Quick-Fix anchor bolts
- ✓ Installation gap 7/16 min up to 1" max (ornamental)
- ✓ Adjustability 5/8" gap and 3/4" height



★ PICK YOUR COLOUR

ZILV 9005

★ COMPATIBLE WITH



NEW

Chain link bracket for Tiger gate closer
CLB-TIGER (p 12)



DISCOVER THE INSTALLATION VIDEO

www.locinoxusa.com/TIGER



HANDY INSTALLATION & DRILLING JIG FOR TIGER GATE CLOSER

TIGERDRILL

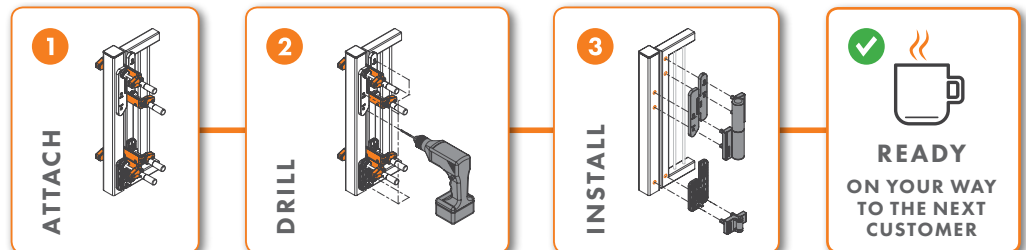
- ✓ Sturdy tool case including all components
- ✓ Recommended to combine with DrillVise-4
- ✓ 2 supplied drills: Ø5 mm / Ø15 mm
- ✓ Spare set with 10 Quick-Fix expanders
- ✓ Includes accessories for mounting and adjustment of Tiger gate closer

★ COMPATIBLE WITH

INSTALL TIGER GATE CLOSER IN HALF THE TIME WITH EXTREME ACCURACY



Toolbox with set of 4 clamps
DRILLVISE-4 (p16)





NEW FIT

STYLISH HYDRAULIC GATE CLOSER FOR HEAVY GATES

MAMMOTH (patented)



DINO hinge included

- ✓ Powder coated aluminum housing
- ✓ Double stainless steel bearing
- ✓ 180° closing angle - No gate stop needed
- ✓ Patented hydraulic damping
- ✓ Closing speed unaffected by humidity and temperature changes
- ✓ ADA compliant: low opening resistance: max. 15 Nm (3-5 lbs)
- ✓ Adjustable closing speed & final snap
- ✓ Vandal-proof and anti-theft
- ✓ Specially designed for exterior use: rain & frost-free
- ✓ Secure, fast and easy attachment: Quick-Fix anchor bolts
- ✓ Installation gap 9/16 min up to 1-3/8" max (ornamental)
- ✓ Adjustability 3/4" gap and 3/4" height



★ PICK YOUR COLOUR

ZILV 9005

★ COMPATIBLE WITH



NEW

Chain link bracket for Mammoth gate closer
CLB-MAMMOTH (p12)



DISCOVER THE INSTALLATION VIDEO

www.locinoxusa.com/MAMMOTH

MAMMOTH KEY FEATURES

MADE FOR OUTDOOR USE

ADA COMPLIANT

AMERICA'S MOST TRUSTED CLOSER

EXTREMELY EASY OPENING FORCE

INSTALLED IN 30 MINUTES

NEW

CHAIN LINK BRACKET FOR TIGER GATE CLOSER

CLB-TIGER



- ✓ Tiger + brackets: 1-3/8" design gap
- ✓ Brackets for Puma hinge included



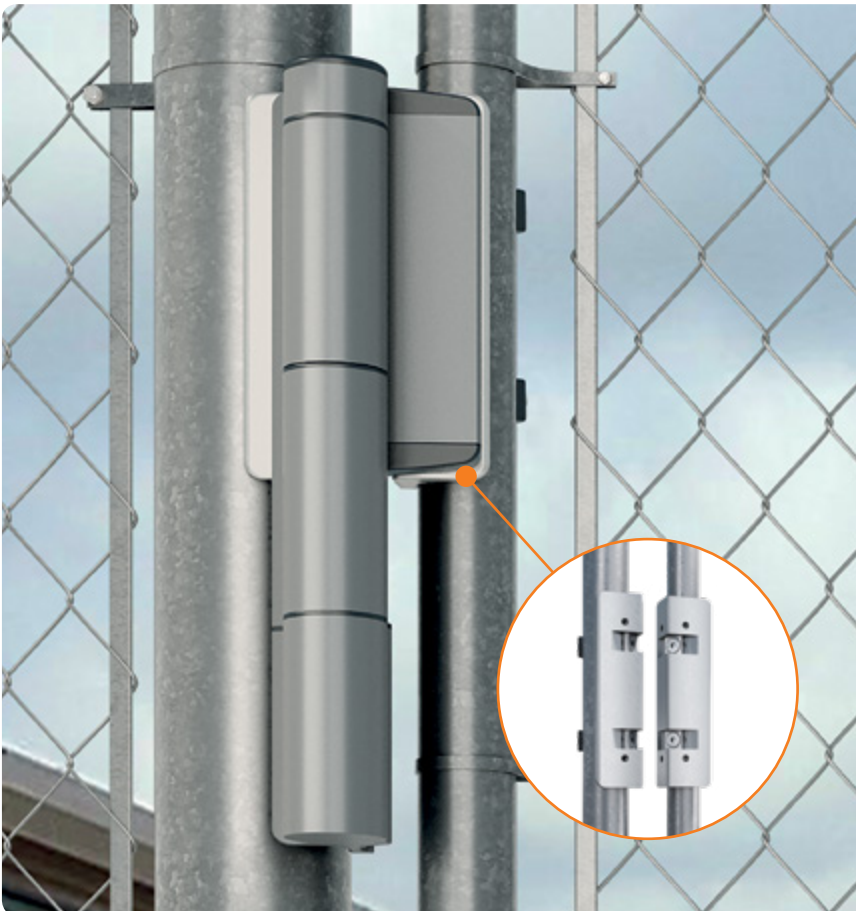
NEW

CHAIN LINK BRACKET FOR MAMMOTH GATE CLOSER

CLB-MAMMOTH



- ✓ Mammoth + brackets: 1-5/8" design gap
- ✓ Brackets for Dino hinge included



RETRO FIT



HYDRAULIC GATE CLOSER FOR WIDE GATES

SAMSON-2 (patented)



- ✓ Powerful gate closer for retrofit situations
- ✓ Powder coated aluminum housing
- ✓ 150° opening & closing angle depending on the hinge situation
- ✓ Patented hydraulic damping
- ✓ Closing speed unaffected by humidity and temperature changes
- ✓ Adjustable closing speed & final snap
- ✓ Specially designed for exterior use: rain & frost-free
- ✓ Secure, fast and easy installation: Quick-Fix anchor bolts



DISCOVER THE INSTALLATION VIDEO

www.locinoxusa.com/SAMSON

GALVANIZED BRACKET TO MOUNT SAMSON-2 ON CHAIN LINK FENCE

SB-



- ✓ Compatible with Samson-2
- ✓ Available to fit 3" or 4" round posts and 1-5/8" or 1-7/8" gate frames
- ✓ Galvanized steel mounting brackets accept standard Quick-Fix anchor bolts on Samson-2





RETRO FIT

NEW

COMPACT AND POLYVALENT GATE CLOSER, FITS EVERY GATE SITUATION

LION (patented)



- ✓ Powerful 180° gate closer for retrofit situations
- ✓ Powder coated aluminum housing
- ✓ 180° closing angle - No gate stop needed
- ✓ Patented hydraulic damping
- ✓ Closing speed unaffected by humidity and temperature changes
- ✓ ADA compliant: low opening resistance: max. 15 Nm (3-5 lbs)
- ✓ Adjustable closing speed & final snap
- ✓ Specially designed for exterior use: rain & frost-free
- ✓ Secure, fast and easy attachment: Quick-Fix anchor bolts



★ PICK YOUR COLOUR

ZILV 9005

★ COMPATIBLE WITH



NEW

Handy installation & drilling jig for Lion and Verticlose-2 gate closers
LION-VTC DRILL (p15)



DISCOVER THE INSTALLATION VIDEO

www.locinoxusa.com/LION



RETRO FIT

NEW

POWERFUL ALL-ROUND HYDRAULIC GATE CLOSER FOR 90° AND 180° HINGES

VERTICLOSE-2 (patented)



- ✓ Powder coated aluminum housing
- ✓ 180° opening and closing angle - No gate stop needed
- ✓ Patented hydraulic damping
- ✓ Closing speed unaffected by humidity and temperature changes
- ✓ ADA compliant: low opening resistance: max. 15 Nm (3-5 lbs)
- ✓ Adjustable closing speed & final snap
- ✓ Specially designed for exterior use: rain & frost-free
- ✓ Secure, fast and easy attachment: Quick-Fix anchor bolts

★ PICK YOUR COLOUR

ZILV 9005

★ COMPATIBLE WITH



NEW



Handy installation & drilling jig for Lion and Verticlose-2 gate closers
LION-VTC DRILL (p15)



DISCOVER THE INSTALLATION VIDEO

www.locinoxusa.com/VERTICLOSE-2



RETRO FIT

NEW

POWERFUL AND ALL-ROUND HYDRAULIC GATE CLOSER FOR WALL MOUNTING

VERTICLOSE-2 WALL



- ✓ Self-closing gate closer with adjustable speed and final snap
- ✓ Specially designed arm for wall mounting while guaranteeing a big opening angle
- ✓ Aesthetic & compact design
- ✓ Powder coated aluminum housing
- ✓ Integrated pretension for extra smooth installation
- ✓ Closing force over the full 180° opening angle
- ✓ Firmly fixed thanks to patented Quick-Fix system



DISCOVER THE INSTALLATION VIDEO

www.locinoxusa.com/VTC2-WALL



★ PICK YOUR COLOUR

ZILV

★ COMPATIBLE WITH



Surface mounted US Mortise cylinder gate lock LUKY J5 (p30)

NEW

HANDY INSTALLATION & DRILLING JIG FOR LION AND VERTICLOSE GATE CLOSERS

LION-VTC DRILL



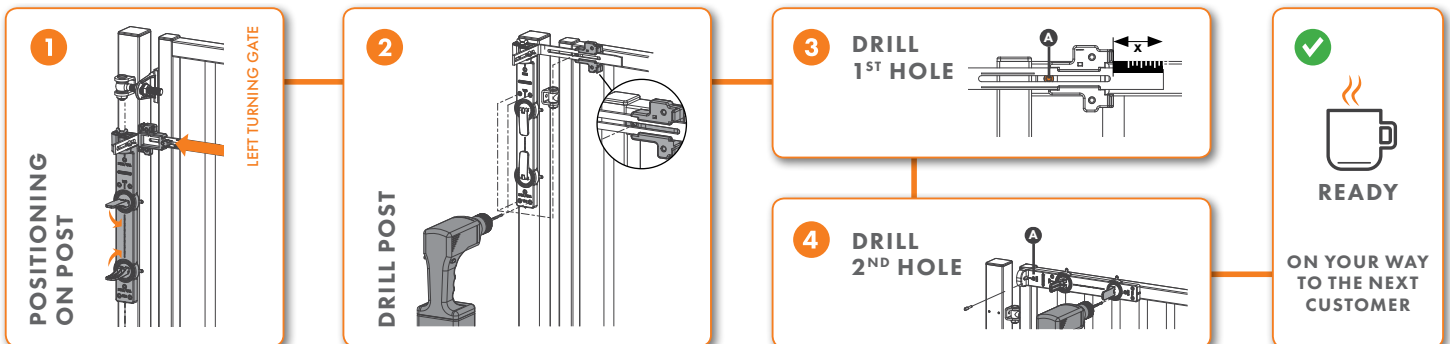
- ✓ Sturdy box with compartments
- ✓ Spare set with 10 Quick-Fix expanders
- ✓ 2 supplied drills: Ø5 mm / Ø15 mm



DISCOVER THE INSTALLATION VIDEO

www.locinoxusa.com/VERTICLOSE-2

INSTALL IN HALF THE TIME WITH EXTREME ACCURACY





HANDY SET OF TENSION CLAMPS FOR FRAME POSITIONING

DRILLVISE-2

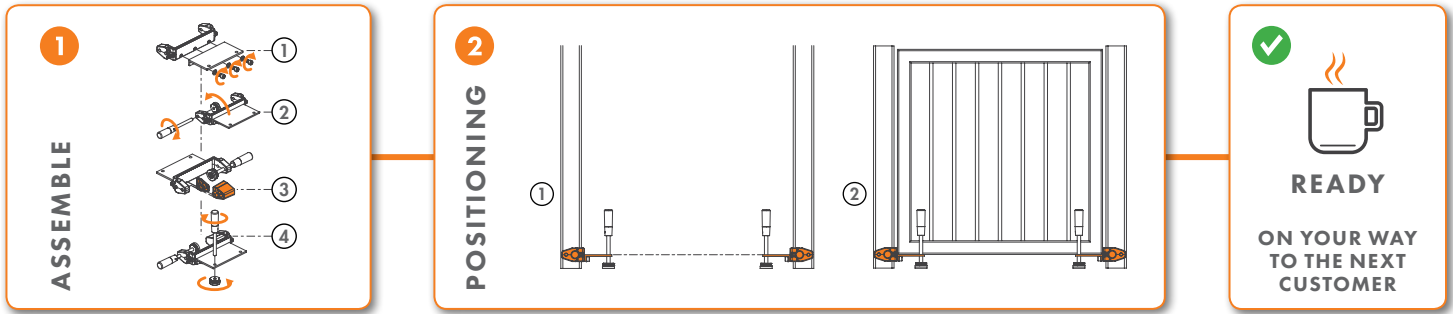
- ✓ Sturdy plastic box with compartments to neatly store everything
- ✓ 2 special tension clamps, adjustable from 1-3/16" to 13/16", equipped with support plates to position the gate frame
- ✓ Strong steel clamp with padding to avoid damage



DISCOVER THE INSTALLATION VIDEO

www.locinoxusa.com/DRILLVISE-2

INSTALL IN HALF THE TIME WITH EXTREME ACCURACY



HANDY TOOLBOX WITH 4 TENSION CLAMPS

DRILLVISE-4

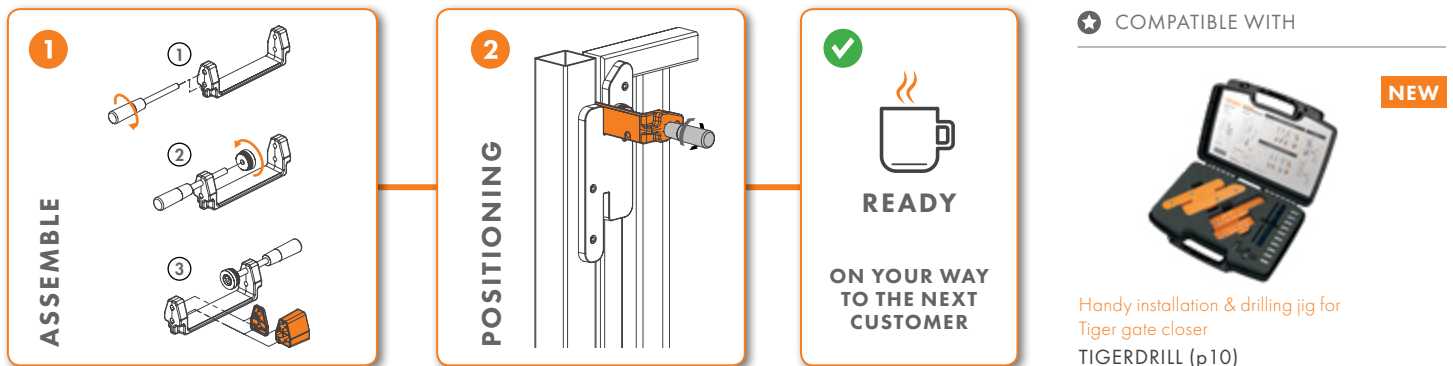
- ✓ Sturdy plastic box with compartments to neatly store everything
- ✓ 4 special tension clamps, adjustable from 1-3/16" to 13/16"
- ✓ Strong steel clamp with padding to avoid damage
- ✓ Soft plastic surfaces ensure a firm grip while avoiding damage to the gate



DISCOVER THE INSTALLATION VIDEO

www.locinoxusa.com/TIGER

INSTALL IN HALF THE TIME WITH EXTREME ACCURACY





TIGER



SAMSON-2



LION



VERTICLOSE-2



Automation & Electronics

Automation has become a fundamental factor in the fence & gate sector. Locinox offers a wide range of solutions to manufacture user-friendly smart gates and fences.



20 Keypads



21 Electric strikes

22 Electromagnetic locks



24 Electrical drop bolts

25 Electrical accessories



ROBUST, WEATHERPROOF AND FROST-FREE KEYPAD (IP68)

SLIMSTONE (-2)



- ✓ Improved SlimStone-2 has 2 integrated relays
- ✓ Complies with IP68 - Extremely resistant to water and dust
- ✓ Stainless steel front plate and keys, aluminum housing with structured lacquer
- ✓ Housing resistant to vandalism with extra protective edge around the keys
- ✓ Led lighting under keys
- ✓ 6-1/2 ft connection cable included
- ✓ Integrated relays ensure easy installation and connection
- ✓ Easy programming of up to 100 user codes
- ✓ Pair the keypad to different devices



★ PICK YOUR COLOUR

ZILV 9005

★ COMPATIBLE WITH



Surface mount electric strike

MODULEC-SA (p21)



Surface mounted electric security strike

MODULEC-SH (p21)



DISCOVER THE INSTALLATION VIDEO

www.locinoxusa.com/SLIMSTONE-2





SURFACE MOUNTED ELECTRIC STRIKE

MODULEC-SA (patent pending)

SURFACE MOUNTED ELECTRIC SECURITY STRIKE

MODULEC-SH (patent pending)



★ PICK YOUR COLOUR

ZILV 9005

★ COMPATIBLE WITH



Surface mounted US Mortise cylinder gate lock LUKY J5 (p30)

- ✓ 660 lbs holding force on the latch bolt
- ✓ Fast and easy installation with Quick-Fix
- ✓ Same drilling pattern as SA, SH and SM keeps
- ✓ Available in two versions: E (Emissa - Fail Close) and R (Ruptura - Fail Open)
- ✓ Corrosion-resistant: black anodized housing



DISCOVER THE INSTALLATION VIDEO

www.locinoxusa.com/MODULEC



CHAIN LINK BRACKET FOR MODULEC SECURITY STRIKE

3018MOD-SA

CHAIN LINK BRACKET FOR MODULEC SECURITY STRIKE

3018MOD-SH

★ COMPATIBLE WITH



Surface mounted electric strike

MODULEC-SA (p21)



Surface mounted electric security strike

MODULEC-SH (p21)

- ✓ Black anodized
- ✓ Separate versions available for SA and SH
- ✓ Is easily installed between strike and post

INTEGRATED MAGNETIC LOCK FOR SWING GATES

B-MAG



★ PICK YOUR COLOUR

ZILV 9005

★ COMPATIBLE WITH



Stylish hydraulic gate closer for heavy gates
MAMMOTH (p11)

- ✓ Guaranteed holding force tested on every magnetic lock
- ✓ 500h salt spray resistant! SGS certified (ISO 9227)
- ✓ Special two-layer protective coating developed for outdoor use
- ✓ Anti-residual magnetism kick-off system
- ✓ Minimal pulling force: 2500N (600 lbs)
- ✓ Current: 460 mA/12V or 230 mA/24V



INTEGRATED MAGNETIC LOCKS FOR SLIDING GATES

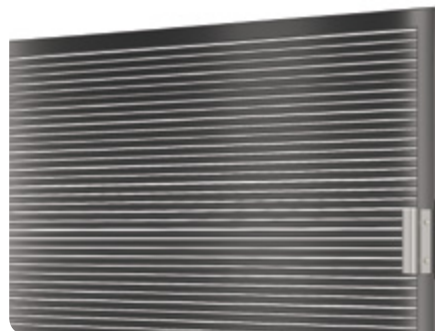
S-MAG



★ PICK YOUR COLOUR

ZILV 9005

- ✓ Guaranteed holding force tested on every magnetic lock
- ✓ 500h salt spray resistant! SGS certified (ISO 9227)
- ✓ Special two-layer protective coating developed for outdoor use
- ✓ Anti-residual magnetism kick-off system
- ✓ Minimal pulling force: 2500N (600 lbs)
- ✓ Current: 460 mA/12V or 230 mA/24V



Contact us first for all your Locinox needs!



SURFACE MOUNTED MAGNETIC LOCK WITH INTEGRATED HANDLES

MAG



- ✓ Guaranteed holding force tested (600/1200 lbs) on every magnetic lock
- ✓ 500h salt spray resistant! SGS Certified (ISO 9227)
- ✓ Special two-layer protective coating developed for outdoor use
- ✓ Powder coated aluminum housing
- ✓ Anti-residual magnetism kick-off system
- ✓ Raised edge on the magnet housing makes it impossible to put a crowbar between magnet and the armature plate
- ✓ Fast and easy fixing by means of 7 holes with Quick-Fix

★ PICK YOUR COLOUR

ZILV 9005



★ COMPATIBLE WITH



Stylish hydraulic gate closer for heavy gates MAMMOTH (p11)



DISCOVER THE INSTALLATION VIDEO

www.locinoxusa.com/MAG



SURFACE MOUNTED MAGNETIC LOCK WITHOUT INTEGRATED HANDLES

MAGMAG



- ✓ Guaranteed holding force (600/1200 lbs) tested on every magnetic lock
- ✓ Special two-layer protective coating developed for outdoor use
- ✓ Powder coated aluminum housing
- ✓ 500h salt spray resistant! SGS Certified (ISO 9227)
- ✓ Anti-residual magnetism kick-off system
- ✓ Raised edge on the magnet housing makes it impossible to put a crowbar between magnet and armature plate
- ✓ Fast and easy fixing by means of 5 holes with Quick-Fix

★ PICK YOUR COLOUR

ZILV 9005



★ COMPATIBLE WITH



Stylish hydraulic gate closer for heavy gates MAMMOTH (p11)



MOTORISED ELECTRICAL DROP BOLT

ELECTRADROP (patented)



- ✓ Vandal-proof, powder coated aluminum housing
- ✓ Fast and easy installation with Quick-Fix
- ✓ To be connected to the warning light on automated gates (min 3 sec prewarning signal) or directly on the gate automation
- ✓ Automatic detection and memorisation of the continuous or pulse signal
- ✓ Mechanical release possible (by key) in case of emergency
- ✓ Fitted with relay for drop bolt detection
- ✓ Obstacle detection with automatic stop of the drop bolt in case of a pressure exceeding 40 lbs



DISCOVER THE INSTALLATION VIDEO

www.locinoxusa.com/ELECTRADROP



★ PICK YOUR COLOUR

ZILV 9005

★ COMPATIBLE WITH



Strong ground stop for double gates
OGS



DESIGN LED-LIGHTING FOR FENCES & GATES

TRICONE



- ✓ Aluminum housing with plastic (POM) cable guiding
- ✓ 3 white High-Flux LED Lights
- ✓ ± 140° beam angle
- ✓ Life expectancy: 50,000 hours
- ✓ 300 lux (illuminance)
- ✓ Power: ± 1 W (with 12V DC)
- ✓ 12V AC or DC (max. 18V DC or peak AC)
- ✓ Fast and easy installation with Quick-Fix
- ✓ Add up to 15 Tricones on one transformer 12V DC

★ PICK YOUR COLOUR

ZILV 9005

★ COMPATIBLE WITH



Robust, weatherproof and frost-free keypad (IP68)
SLIMSTONE-2 (p20)



POWERBOX - TRANSFORMER HOUSING

PB-1



- ✓ Waterproof transformer box - IP66
- ✓ Powder coated aluminum housing
- ✓ DIN-rail mount: 3-3/8" (5 units)
- ✓ Supplied with 2 glands M20 and 2 stop plugs M16
- ✓ Innovative Quick-Fix mounting
- ✓ Designed with heat dissipation fins at the back

★ PICK YOUR COLOUR

ZILV 9005

★ COMPATIBLE WITH



Safety power supply 24V and 25V DC DC-POWER (p25)



REINFORCED, BRAIDED STAINLESS STEEL GUIDING CABLE

DVK-HD

- ✓ Vandal-proof, stainless steel, braided guiding cable
- ✓ Available with 17-3/4" or 25-9/16" braided cable
- ✓ Protects electrical wiring against vandalism, moist, dirt and vermin
- ✓ Strong fixation by means of 8 self-tapping stainless steel screws
- ✓ Cable entry: aluminum housing
- ✓ Inner diameter: Ø3/8"

★ COMPATIBLE WITH



Safety power supply 24V and 25V DC DC-POWER (p25)



SAFETY POWER SUPPLY 12V OR 24V DC-POWER

- ✓ Mounting on DIN-rail or directly
- ✓ Power: 25W
- ✓ Primary voltage: 110V
- ✓ Secondary voltage: available in 12V or 24V
- ✓ Aluminum housing
- ✓ Robust control module: encapsulated for superior humidity resistance

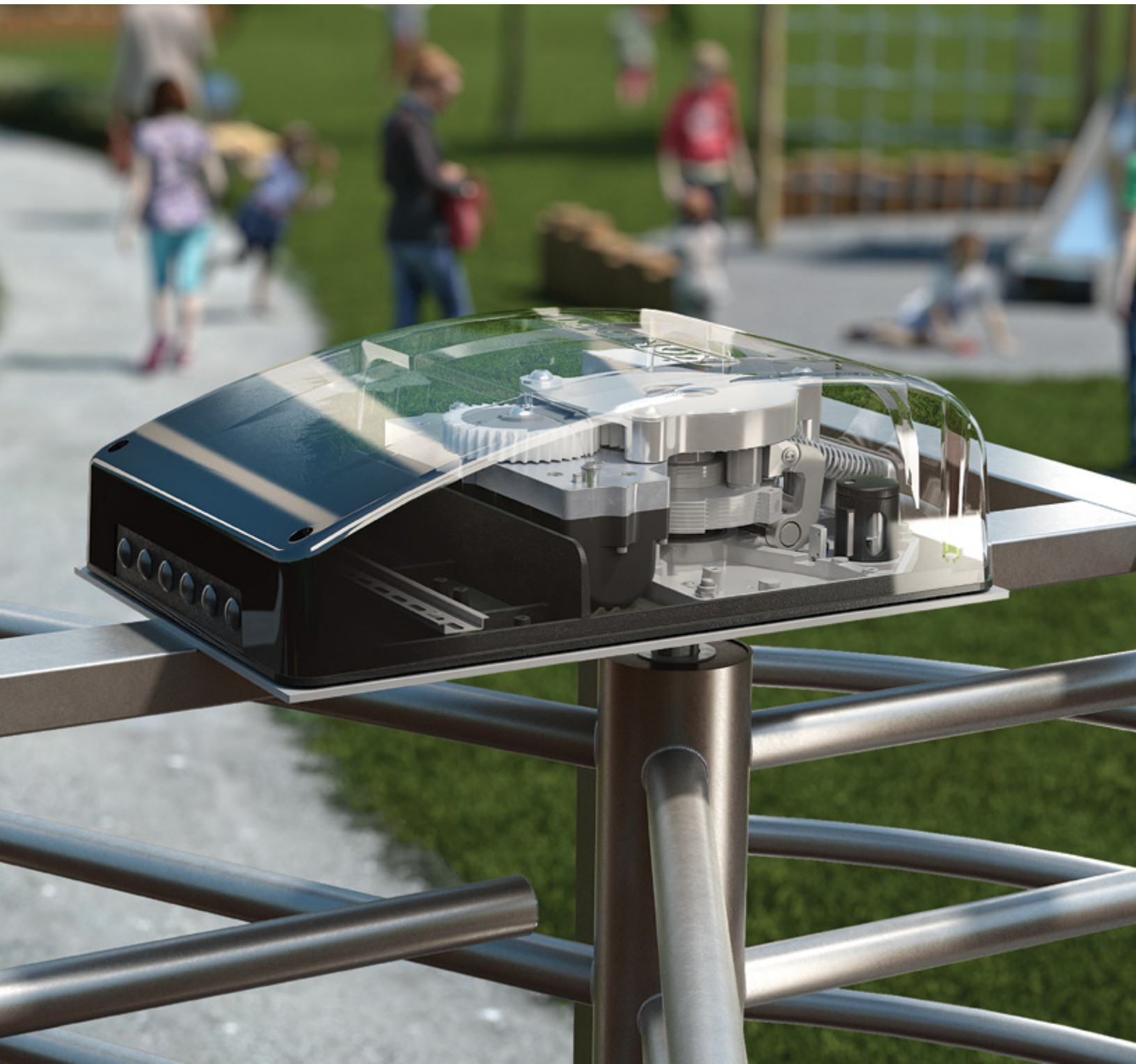
★ COMPATIBLE WITH



Powerbox - Transformer housing PB-1 (p25)

Turnstiles

The Locinox (electro)mechanical control unit allows you to easily create a maintenance free and high quality turnstile. You have an (electro)mechanical unit at your disposal with which you can match the design of your turnstile to the design of your fencing!



(ELECTRO)MECHANIC CONTROL UNIT FOR TURNSTILES

THE COMPLETE TURNITEC SOLUTION

- 1 TT-BM3S**
The essential module for any turnstile

- 2 TT-DM3**
Recommended hydraulic damping mechanism for extra user comfort

- 3 TT-FO31/TT-FC31**
Fail Open or Fail Close electromechanical module for access control

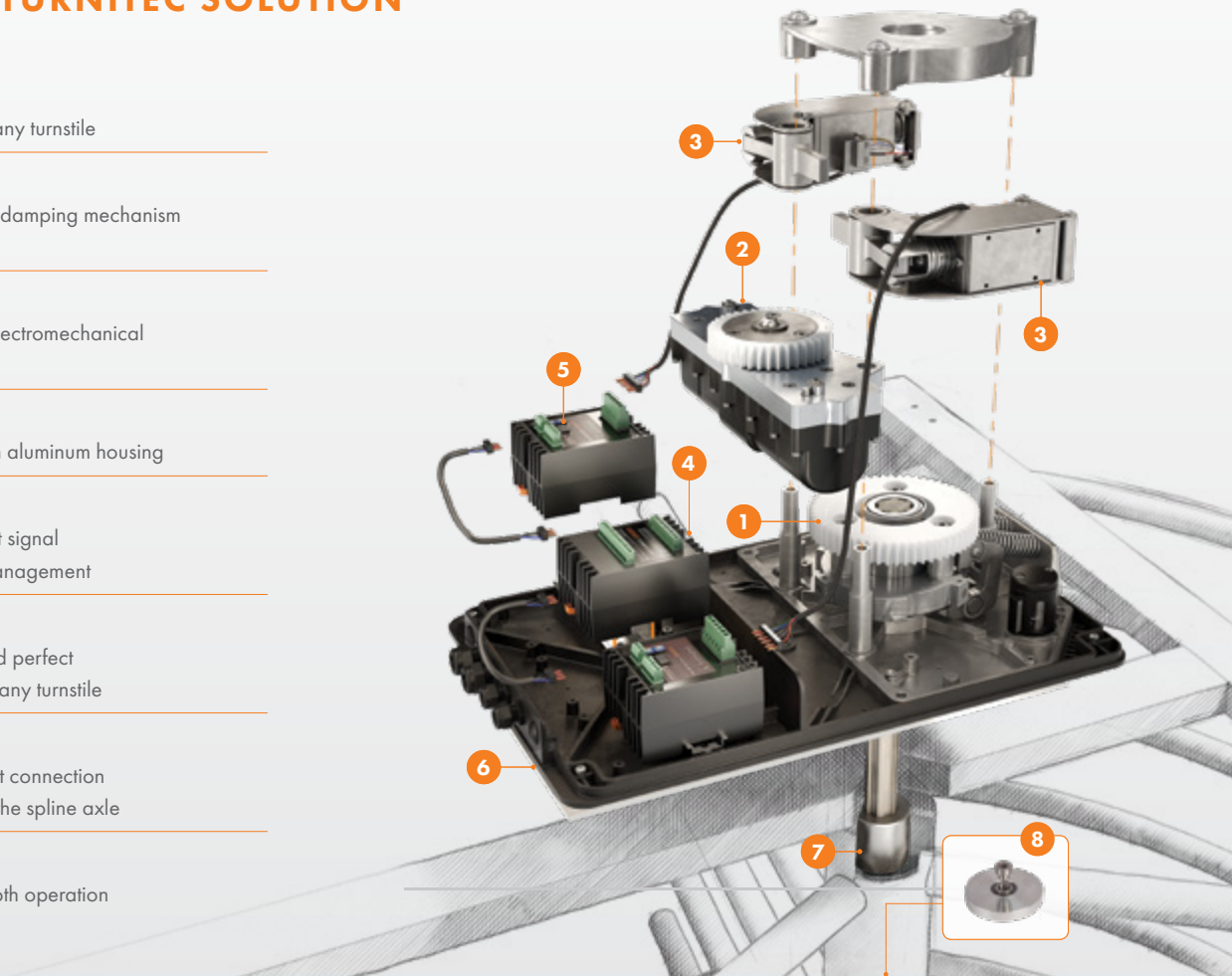
- 4 DC-POWER-24V-25W**
Robust power supply with aluminum housing

- 5 TT-CL2**
Counter and passing light signal module for visitor flow management

- 6 TT-BSP/TT-SSP**
Welding plate for fast and perfect installation of Turnitec on any turnstile

- 7 TT-SAH**
Recommended for perfect connection of the basic module with the spline axle

- 8 TT-PIVOT**
Lower bearing for a smooth operation



POPULAR APPLICATIONS



PARKING SITES

ELECTROMECHANICAL
ACCESS CONTROL
FOR EXTRA SECURITY



AIRPORTS



PUBLIC AREAS



MECHANICAL
FREE ENTRY AND EXIT
OR LOCKED



SCHOOLS



LOGINOX

Locks

Locinox locks guarantee a perfect operating gate. Every lock is thoroughly tested in our own test center where they are exposed to the most extreme circumstances. This ensures us that our locks will work in all weather conditions. We offer a variety of locks for garden gates, industrial gates or swimming pool gates. Locinox locks - the safest solution in fence protection.



30 Swing gate locks

32 Mechanical code locks



33 Panic exit solutions

34 Accessories

35 Sliding gate locks



SURFACE MOUNTED US MORTISE CYLINDER GATE LOCK

LUKY J5



- ✓ Gate Lock with double cylinder dead bolt. Designed for 1-1/8" (28.6mm) Mortise profile cylinder.
- ✓ Thread size: 1.150 x 32 UNS - Cylinder face: 1.360 (34.5mm) diameter
- ✓ Rekeyable cylinder 1-1/8" Schlage C-keyway 5pin (drilled 6pin) - AR Cam
- ✓ Throw of the deadbolt, 7/8" in 1 turn of the key
- ✓ Key-operated self-latching bolt, allows free exit application
- ✓ Continuous adjustment of 3/8" for the bolts without dismantling the lock box
- ✓ 4-hole mounting with two hex head socket screws
- ✓ The lock box requires a 3-3/8" spacing to the first picket, fitting nicely into most gates

★ PICK YOUR COLOUR

ZILV 9005

★ COMPATIBLE WITH



Stainless steel adjustable security keep
SHKL (p34)



Chain link tension bar adapter
CLH-LA (p34)



DISCOVER THE INSTALLATION VIDEO

www.locinoxusa.com/LUKY



TOOL CASE WITH DRILLING JIG FOR SURFACE MOUNTED LOCKS AND KEEPS

DRILL-FIX

- ✓ Tool case with self-centering drilling tool for fast assembly of Locinox surface mounted gate locks and keeps
- ✓ Drill jig works on round and square profiles from 1-1/4" up to 3"
- ✓ Includes 3 drill bits (Ø9,5 mm, Ø15 mm, Ø18 mm)



DISCOVER THE INSTALLATION VIDEO

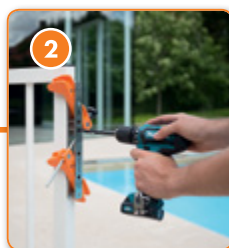
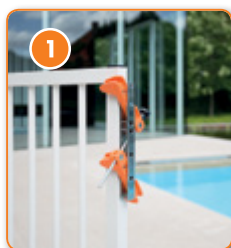
www.locinoxusa.com/DRILL-FIX

★ COMPATIBLE WITH

1 INSTALLATION METHOD FOR ALL OUR LOCKS



Surface mounted US Mortise cylinder gate lock LUKY J5 (p30)





WIDE BODY SURFACE MOUNTED GATE LOCK WITH EUROPROFILE CYLINDER

LAKQ U2



- ✓ ISO 9227 KTL / E-coated lock box withstands 1000 hours of salt spray test
- ✓ Easy left or right changing of the self-latching daybolt
- ✓ Throw of the deadbolt, 7/8" in 1 turn of the key
- ✓ Continuous adjustment of 3/4" for the bolts without removing the lock box
- ✓ Key-operated self-latching bolt, allows free exit application
- ✓ 4-hole mounting with two hex head socket screws
- ✓ Center distance bolts: 2-3/8"

★ PICK YOUR COLOUR

ZILV 9005

★ COMPATIBLE WITH



Stainless steel adjustable security keep
SHKL (p34)

Chain link tension bar adapter
CLH-LA (p34)



DISCOVER THE INSTALLATION VIDEO

www.locinoxusa.com/LAKQU2



SMALL SURFACE MOUNTED ORNAMENTAL GATE LOCK WITH EUROPROFILE CYLINDER

LAKY F2



★ COMPATIBLE WITH

- ✓ ISO 9227 KTL / E-coated lock box withstands 1000 hours of salt spray test
- ✓ Easy left or right changing of the self-latching daybolt
- ✓ Throw of the deadbolt, 7/8" in 1 turn of the key
- ✓ Continuous adjustment of 3/4" for the bolts without dismantling the lock box
- ✓ Key-operated self-latching bolt, allows free exit application
- ✓ 4-hole mounting with two hex head socket screws
- ✓ Center distance bolts: 2-3/8"



Stainless steel adjustable keep
SAKL (p34)



SURFACE MOUNTED MECHANICAL CODE LOCK

VINCI - LMKQ



- ✓ ISO 9227 KTL/E-coated lock box withstands 1000 hours of salt spray test
- ✓ Operational code panel on both sides
- ✓ Independent entrance and exit codes
- ✓ Polyamide rain and dust cover
- ✓ Easy and fast set-up or modification of the access codes
- ✓ With adjustable rollerbolt for easy closing
- ✓ Extremely strong and user-friendly mechanism
- ✓ Automatic code reset after opening by means of the handle

★ PICK YOUR COLOUR

ZILV 9005



★ COMPATIBLE WITH



Adjustable security keep out of stainless steel SHKL (p34)



SURFACE MOUNTED MECHANICAL CODE LOCK WITH SECURED ENTRANCE AND FREE EXIT

FREE VINCI - LFKQ



- ✓ ISO 9227 KTL / E-coated lock box withstands 1000 hours of salt spray test
- ✓ Easy left or right changing of the self-latching daybolt
- ✓ Throw of the deadbolt, 7/8" in 1 turn of the key
- ✓ Key-operated self-latching bolt, allows free exit application
- ✓ 4-hole mounting with two hex head socket screws
- ✓ Center distance bolts: 2-3/8"
- ✓ Continuous adjustment of 3/4" for the bolts without removing the lock box
- ✓ Stainless steel mechanism

★ PICK YOUR COLOUR

ZILV 9005



★ COMPATIBLE WITH



Aluminum push bar PUSHBAR (P33)



Aluminum push handle set 3006PUSH (P33)



DISCOVER THE INSTALLATION VIDEO

www.locinoxusa.com/FREE-VINCI



ALUMINUM PUSH BAR PUSHBAR



- ✓ Anodized black, aluminum push bar with stainless steel mechanism
- ✓ Available in 2 lengths: 45-1/4" and 59-1/16"
- ✓ Compatible with hybrid insert locks and surface mounted locks
- ✓ Pressing the push bar operates the daybolt
- ✓ For left and right turning gates
- ✓ Easy to install on the gate with Quick-Fix

 **DISCOVER THE INSTALLATION VIDEO**
www.locinoxusa.com/PUSHBAR

★ PICK YOUR COLOUR

9005



★ COMPATIBLE WITH



Surface mounted US Mortise cylinder gate lock

LUKY J5 (p30)

Surface mounted mechanical code lock with secured entrance and free exit
 FREE VINCI - LFKQ (p32)



PUSH HANDLE SET IN ALUMINUM 3006PUSH



- ✓ The set is adaptable on all surface mounted Locinox locks with aluminum U-lock box
- ✓ The 3006PUSH replaces the handles
- ✓ Facilitates opening of the gate

 **DISCOVER THE INSTALLATION VIDEO**
www.locinoxusa.com/3006PUSH

★ PICK YOUR COLOUR

ZILV 9005

★ COMPATIBLE WITH



Surface mounted US Mortise cylinder gate lock

LUKY J5 (p30)

Surface mounted mechanical code lock with secured entrance and free exit
 FREE VINCI - LFKQ (p32)

STANDARD OR SECURITY STAINLESS STEEL KEEPS

SAKL/SHKL



★ PICK YOUR COLOUR

ZILV 9005



SAKL

SHKL

- ✓ Stainless steel bolt receiver
- ✓ Stop plate in extruded aluminum with rubber strip
- ✓ Easy left or right hand changing
- ✓ Innovative Quick-Fix mounting
- ✓ Adjustable for profiles: 1-1/2" to 2-1/2"
- ✓ For square and round frames

 **DISCOVER THE INSTALLATION VIDEO**
www.locinoxusa.com/SHKL

ANTI-THEFT PROTECTION PLATES

SHIELD-SA/SHIELD-SH



★ PICK YOUR COLOUR

ALUM 9005



- ✓ Vandal-proof protection plate
- ✓ Compatible with Locinox surface mounted locks
- ✓ Serves as a pick plate - use for extra security
- ✓ Shield can easily be mounted on the surface mounted lock and is available for gate frames of 1-1/2" to 2-1/2"
- ✓ Can be combined with SA /SH keeps, and Modulec-SA /SH strikes

 **DISCOVER THE INSTALLATION VIDEO**
www.locinoxusa.com/SHIELD

FAST & EASY INSTALLATION ON CHAIN LINK!



ADAPTOR PLATE FOR SH KEEPS

6403



ADAPTOR PLATE FOR LA AND LS LOCKS

3019LA



ADAPTOR PLATE FOR SA KEEPS

3018 LA



CHAIN LINK ADAPTER FOR MODULEC SA OR SH

3018MOD



CHAIN LINK TENSION BAR FOR LOCKS

CLH-LA



CHAIN LINK TENSION BAR FOR CODE LOCKS

CLH-CO



SURFACE MOUNTED SLIDING GATE LOCK

LSKZ



★ PICK YOUR COLOUR

ZILV 9005

★ COMPATIBLE WITH



Sliding gate keep with Quick-Fix SSKZ

- ✓ ISO 9227 KTL/E-coated lock box withstands 1000 hours of salt spray test
- ✓ Chassis, mechanism and vandal-proof Twistfinger in stainless steel
- ✓ Reversible Twistfinger (catch bolt)
- ✓ Mounting with 2 hex head socket screws
- ✓ Innovative closing system
- ✓ Standard with reinforced aluminum handle pair
- ✓ 3006S: square 5/16" shaft



MECHANICAL CODE LOCK FOR SLIDING GATES

LEONARDO - LLKZ



★ PICK YOUR COLOUR

ZILV 9005

★ COMPATIBLE WITH



Sliding gate keep with Quick-Fix SSKZ

- ✓ 100% mechanical: no battery or electricity required
- ✓ Reversible vandal-proof Twistfinger (catch bolt)
- ✓ Operational code panel on both sides
- ✓ Independent entrance and exit codes
- ✓ Equipped with dust and rain covers
- ✓ Easy and fast set-up or modification of the access codes
- ✓ Accepts 4 to 6 digit code combinations
- ✓ Extremely strong and user-friendly mechanism
- ✓ Automatic code reset after opening by means of the handle
- ✓ Anti-code detection with integrated security press plate



Hinges & Drop bolts

Hinges support the weight of the gate and ensure it to open & close smoothly. Because of this heavy task, our hinges are hot-dip galvanized or made of stainless steel. Thanks to our wide range we offer a solution for every situation. Top of the line is the patented 4D hinge. This hinge is adjustable in 4 dimensions (height/depth/alignment/left or right turning).



180° SCREW-ON 4D ADJUSTABLE HINGE

BOLTON4D



★ PICK YOUR COLOUR

ALUM 9005



- ✓ Easy to fix with Quick-Fix or bolt through fixing
- ✓ Available in M12 and M16
- ✓ Vandal-proof eyebolt & crossbolt
- ✓ 180° opening and closing angle
- ✓ Eliminates the need to stock left and right swinging gates
- ✓ 11/16" adjustable in height
- ✓ 1" adjustable in depth
- ✓ Aluminum U-clamp and Grip
- ✓ Hot-dip galvanized eyebolt and crossbolt
- ✓ Minimum gap 5/16"

180° WELD-ON 4D ADJUSTABLE HINGE

GBMU4D



★ PICK YOUR COLOUR

ALUM 9005



- ✓ Available in zinc and black steel: 180° opening and closing angle
- ✓ Available in M16 and M20: both hot-dip galvanized
- ✓ Hot-dip galvanized Grip
- ✓ Eliminates the need to stock left and right swinging gates
- ✓ 7/8" adjustability in height
- ✓ Minimum gap 7/8" for M12 bolt and 1-3/8" for M16 or M20



DISCOVER THE INSTALLATION VIDEO

www.locinoxusa.com/GBMU4D

180° WELD-ON 3D ADJUSTABLE HINGE

GBMU



- ✓ 180° opening and closing angle
- ✓ Hot-dip galvanized eyebolt, bolt and nut
- ✓ U-shaped ear plate and groove plate in black steel to weld on
- ✓ Available in 5 sizes: M12, M16, M18, M20 and M22
- ✓ Minimum gap 1/2"

90° 2-WAY ADJUSTABLE BEARING HINGE

1DBH



- ✓ Specially developed for automated gates
- ✓ Conical bearing version (CB): protected by housing, 1650 lbs axial load capacity
- ✓ 1" adjustable in width
- ✓ Version A-BB: with adjustment screws, recommended as top hinge
- ✓ Version Z-BB: universal, can be used as top or bottom hinge
- ✓ Version Z-CB: hinge with high load capacity, recommended as bottom hinge

COMPACT 2-WAY ADJUSTABLE 180° SURFACE MOUNTED HINGE

PUMA



★ PICK YOUR COLOUR

ZILV 9005



- ✓ 180° opening and closing angle
- ✓ Resistant to extreme weather conditions thanks to the stainless steel hinge axle
- ✓ For gates up to 3.5 ft wide and 135 lbs
- ✓ For left and right handed gates
- ✓ Aesthetic design & powder coated aluminum housing
- ✓ 3/4" vertical adjustability
- ✓ 5/8" width adjustability
- ✓ Fast and easy installation with Quick-Fix
- ✓ Minimum gap 3/8"

DOUBLE BEARING 2-WAY ADJUSTABLE 180° SURFACE MOUNTED HINGE

DINO



★ PICK YOUR COLOUR

ZILV 9005



- ✓ 180° opening and closing angle
- ✓ Aesthetic design & powder coated aluminum housing
- ✓ Contains 2 stainless steel bearings
- ✓ Anti-theft & vandal-proof
- ✓ For gates up to 5 ft wide and 330 lbs
- ✓ For left and right handed gates
- ✓ Fast and easy installation with Quick-Fix
- ✓ Minimum gap 1/2"

90° 2-WAY ADJUSTABLE BEARING HINGE BEARING HINGE



- ✓ Specially developed for automated gates
- ✓ Rust resistant housing
- ✓ Maintenance free sealed bearing
- ✓ Can be used as top and bottom hinge
- ✓ Minimum gap: 1"

180° 3-WAY ORNAMENTAL HINGE

3DM



- ✓ 180° vandal-proof hinge for metal & aluminum gates with 4" posts
- ✓ Innovative Quick-Fix mounting
- ✓ For left and right handed gates
- ✓ 5/8" adjustable in width, 3/8" in height and 3/8" in depth
- ✓ Stainless steel hinge socket, axle and socket cover plate
- ✓ Minimum gap 5/8"

180° 3-WAY STRAP HINGE

3DW



- ✓ 180° vandal-proof hinge for wooden gates
- ✓ 5/8" adjustable in width, 3/8" in height and 3/8" in depth
- ✓ Stainless steel hinge socket, axle and socket cover plate

KEY LOCKABLE DROP BOLT

KEYDROP



★ PICK YOUR COLOUR

ALUM 9005

- ✓ Throw: 5-1/2"
- ✓ Lockable drop bolt with cylinder
- ✓ Same drilling pattern as VSF and VSA
- ✓ Possible to match same key as gate lock
- ✓ Height adjustability of the dropbolt: 4"
- ✓ Height adjustability in 3 positions: 2" / position
- ✓ The gate can be locked in open or closed position
- ✓ For square gate profiles 1-1/4" or larger

HOT-DIP GALVANIZED DROP BOLT

VSF/VSA



★ PICK YOUR COLOUR

ZILV 9005



- ✓ Aluminum head block and housing
- ✓ For gate profiles 1-1/2" or more
- ✓ Height adjustability of the drop bolt: 4"
- ✓ 5-1/2" throw
- ✓ Self locking between the leaves
- ✓ Fast and easy fixation with Quick-Fix
- ✓ Easy to retrofit

ECONOMIC GROUND CATCH FOR DROP BOLT

EGS



- ✓ Simple and economic in-ground catch designed to put in concrete
- ✓ Without stop plate
- ✓ Hot-dip galvanized base-plate with polypropylene recipient
- ✓ For drop bolts with a maximum bolt diameter of 3/4"

#WE ARE LOCINOX



FORWARD

Innovation as the engine
of your growth



MODULARITY

Designed with flexibility
at every moment



ADDED VALUE

High quality to ensure
your peace of mind



24/7 WEBSHOP

Order when
it suits you



FULL SERVICE

Exceptional
after-sales service



3 YEAR WARRANTY

Sustainable solutions
in the very long term



TRANSPARENCY

A sincere and clear
communication, day after day



RELIABLE

Our promises and
deadlines are always met



LOYAL

Long-term relationships and a
win-win situation for everyone

Contact us first for all your Locinox needs!



5100 W Brown Deer Rd, Brown Deer, WI 53223 | www.go-tsw.com
Toll Free: 877-816-7304 | Fax: 262-814-7302 | info@totalsecuritywarehouse.com

We're social.    